

RF CONCEPTS LLC BOULDER, COLORADO 80303			
8410 BLOCK DIAGRAM			
DRAWN BY: B. FOCKEN	SIZE:	DWG NO. 8410	REV. A
DATE: 06/23/10	SCALE: NONE	SHEET 1 OF 1	



6

5

4

3

2

1

D

D

C

C

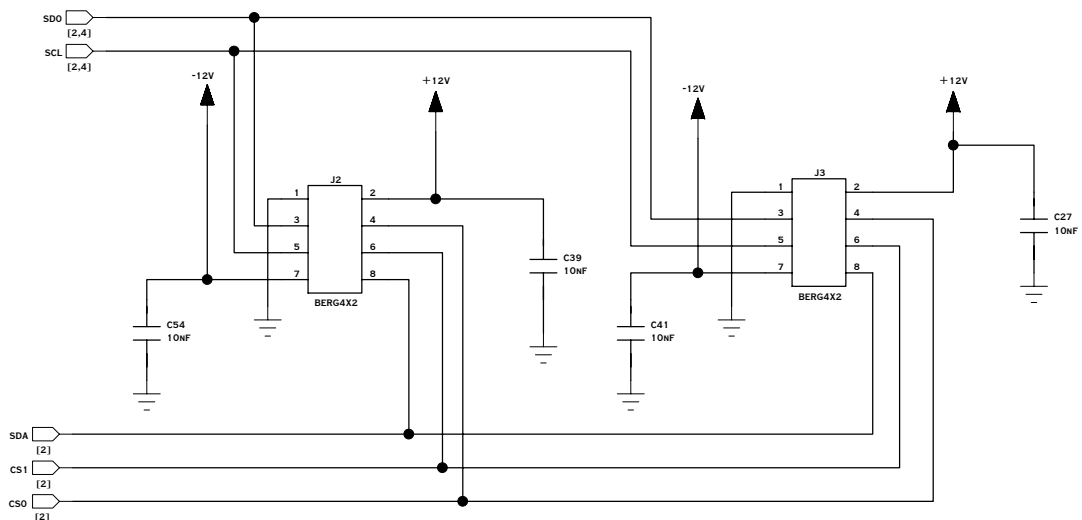
B

B

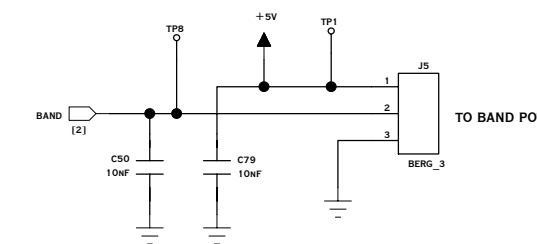
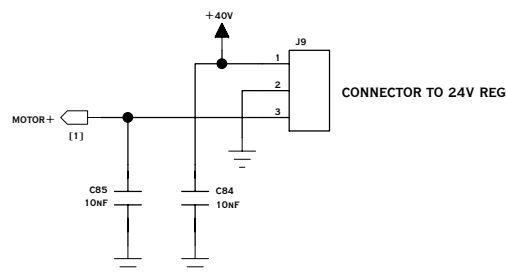
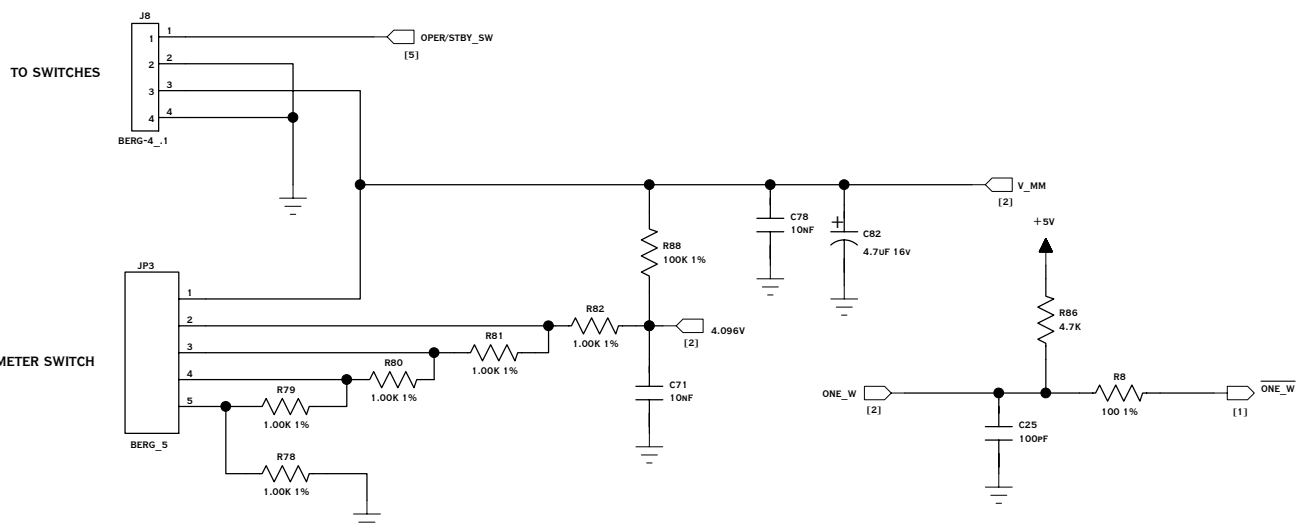
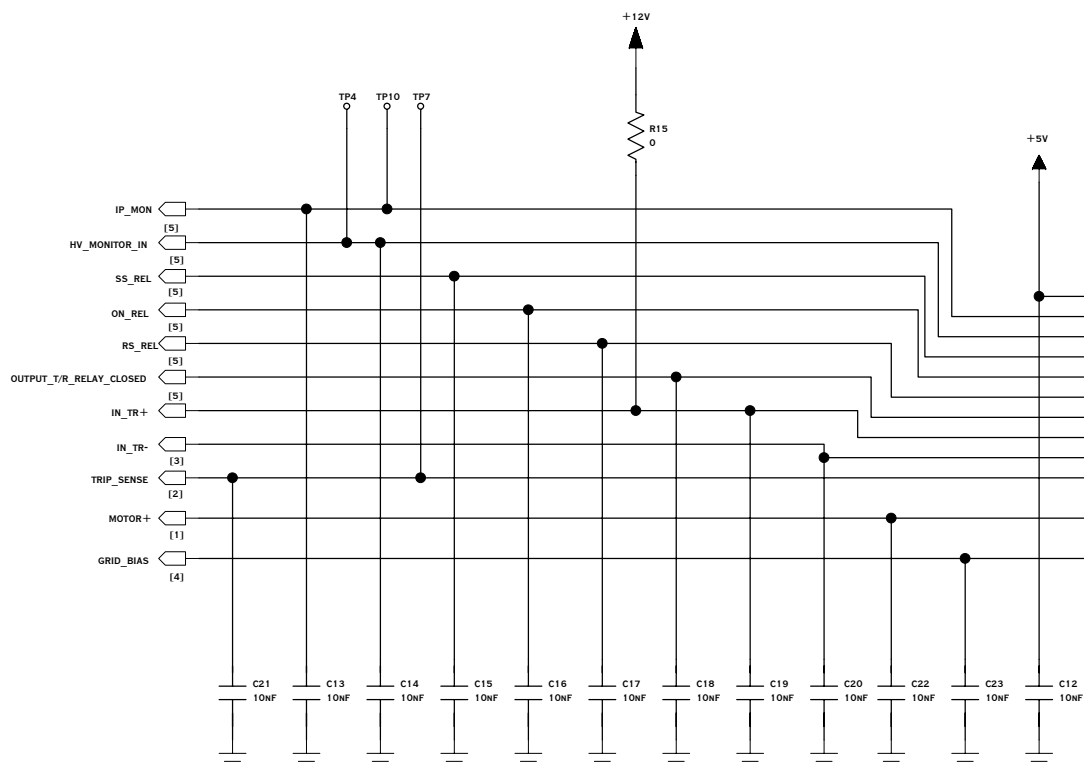
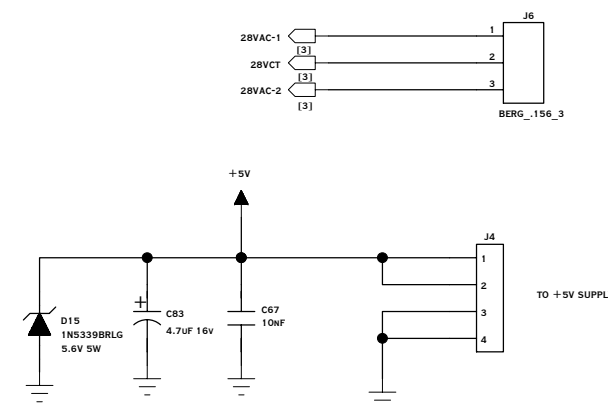
A

A

### SPI CONNECTIONS

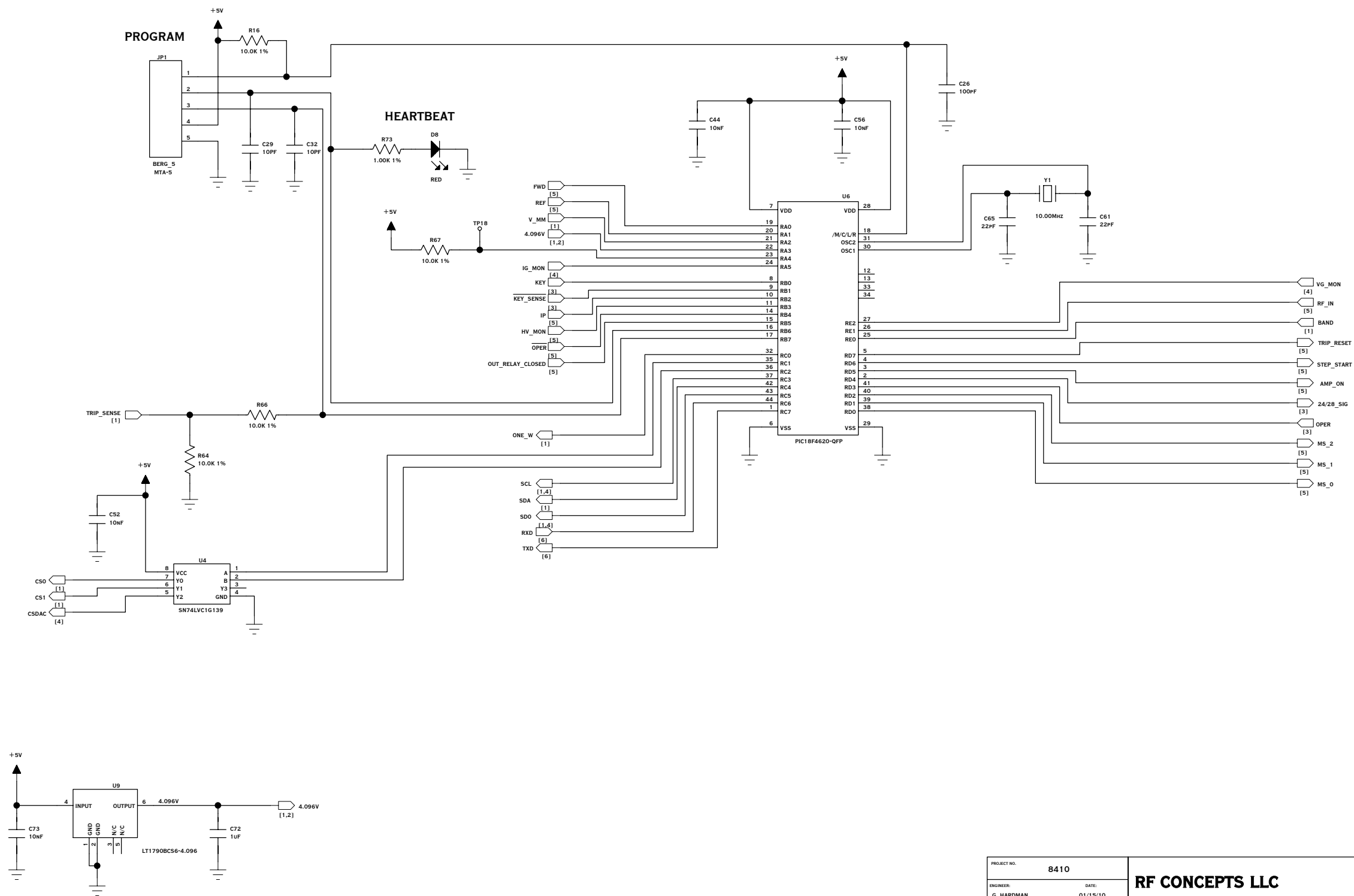


### FROM TRANSFORMER SECONDARY



REVISION HISTORY					
REV	ECO NO.	DESCRIPTION	CHANGED BY & DATE	CHECKED BY & DATE	EFFECTIVITY DATE
A		PRODUCTION RELEASE	BWF 12/18/09	GEH 12/18/09	12/18/09

UNLESS OTHERWISE SPECIFIED DIMENSIONS ARE IN INCHES TOLERANCES ARE: XX +/- 0.01 XXX +/- 0.001		PROJECT NO. <b>8410</b>	6185 ARAPAHOE RD. BOULDER, COLORADO 80303 PHONE: (303) 473-9232 FAX: (303) 473-9660	
PROPRIETARY NOTICE: THIS DOCUMENT AND DATA DISCLOSED HEREIN AND HEREWITH IS NOT TO BE REPRODUCED, USED, OR DISCLOSED IN WHOLE OR ANY PART TO ANYONE WITHOUT THE PERMISSION OF RF CONCEPTS LLC.		ENGINEER: G. HARDMAN DATE: 01/15/10	RF CONCEPTS LLC	
COMPONENT TYPE = ELECTRICAL CATEGORY = CUSTOM DESIGNATION = NONE		DRAWN BY: B. FOCKEN DRAFT DATE: 01/15/10	TITLE: <b>ALPHA 8410 CONTROLLER</b>	
DRAWING FILE: <b>BCX-X439_REV_A.SCH</b> CONNECTORS		SIZE C	DRAWING # <b>ABX-X439</b>	REV. A
PADS POWERLOGIC DRAWING		SCALE		SHEET 1 OF 6



PROJECT NO. 8410		6185 ARAPAHOE RD. BOULDER, COLORADO 80303 PHONE: (303) 473-9232 FAX: (303) 473-9660	
ENGINEER: G. HARDMAN DATE: 01/15/10		<b>RF CONCEPTS LLC</b>	
DRAWN BY: B. FOCKEN DRAFT DATE: 01/15/10		TITLE: <b>ALPHA 8410 CONTROLLER</b>	
DRAWING FILE: BCX-X439_REV_A.SCH		SIZE: C	DRAWING #: ABX-X439
PROCESSOR			REV. A
PADS POWERLOGIC DRAWING		SCALE:	SHEET 2 OF 6

D

D

C

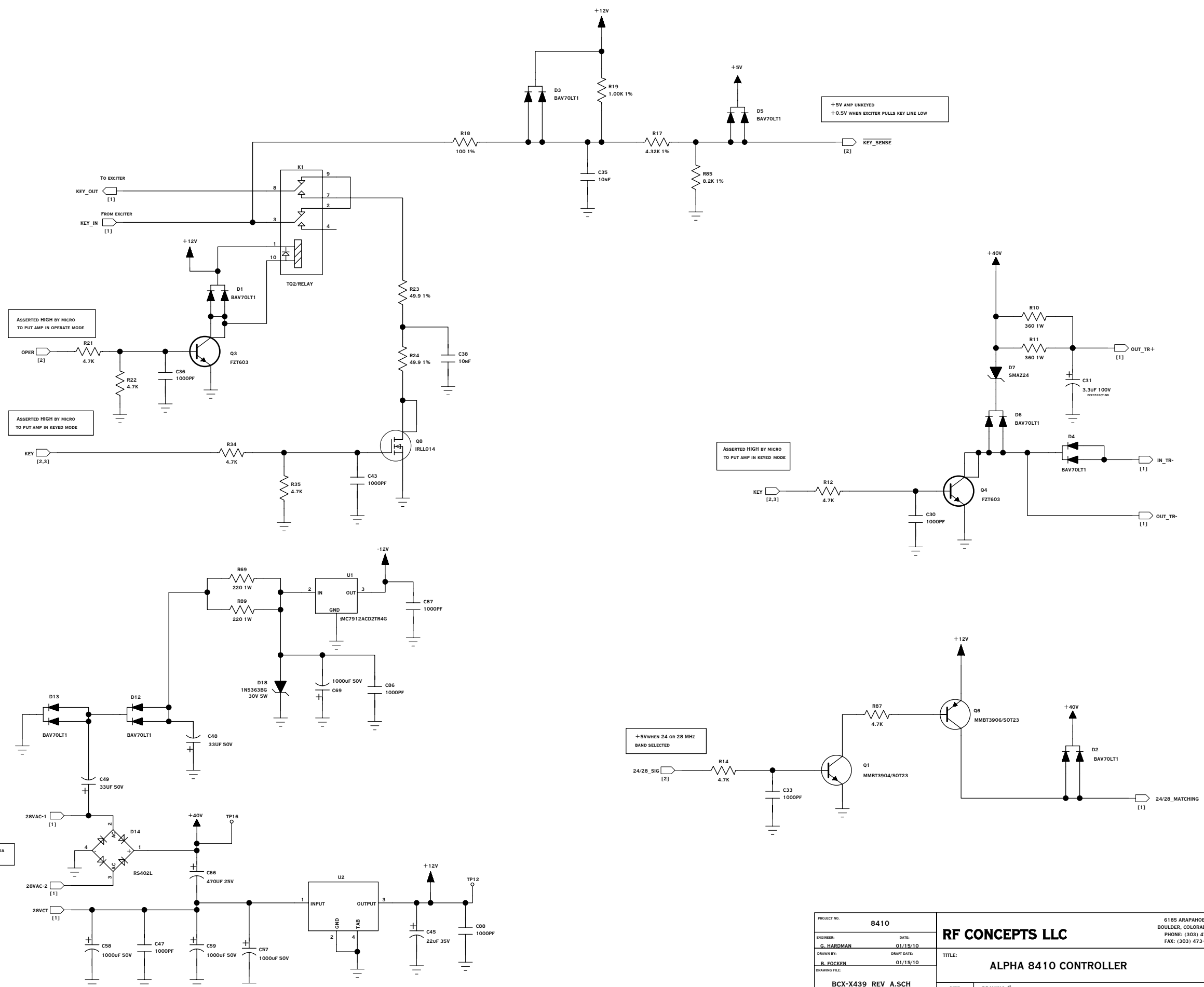
C

B

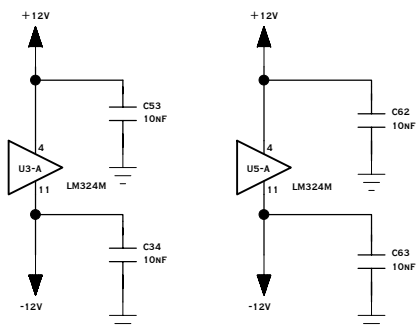
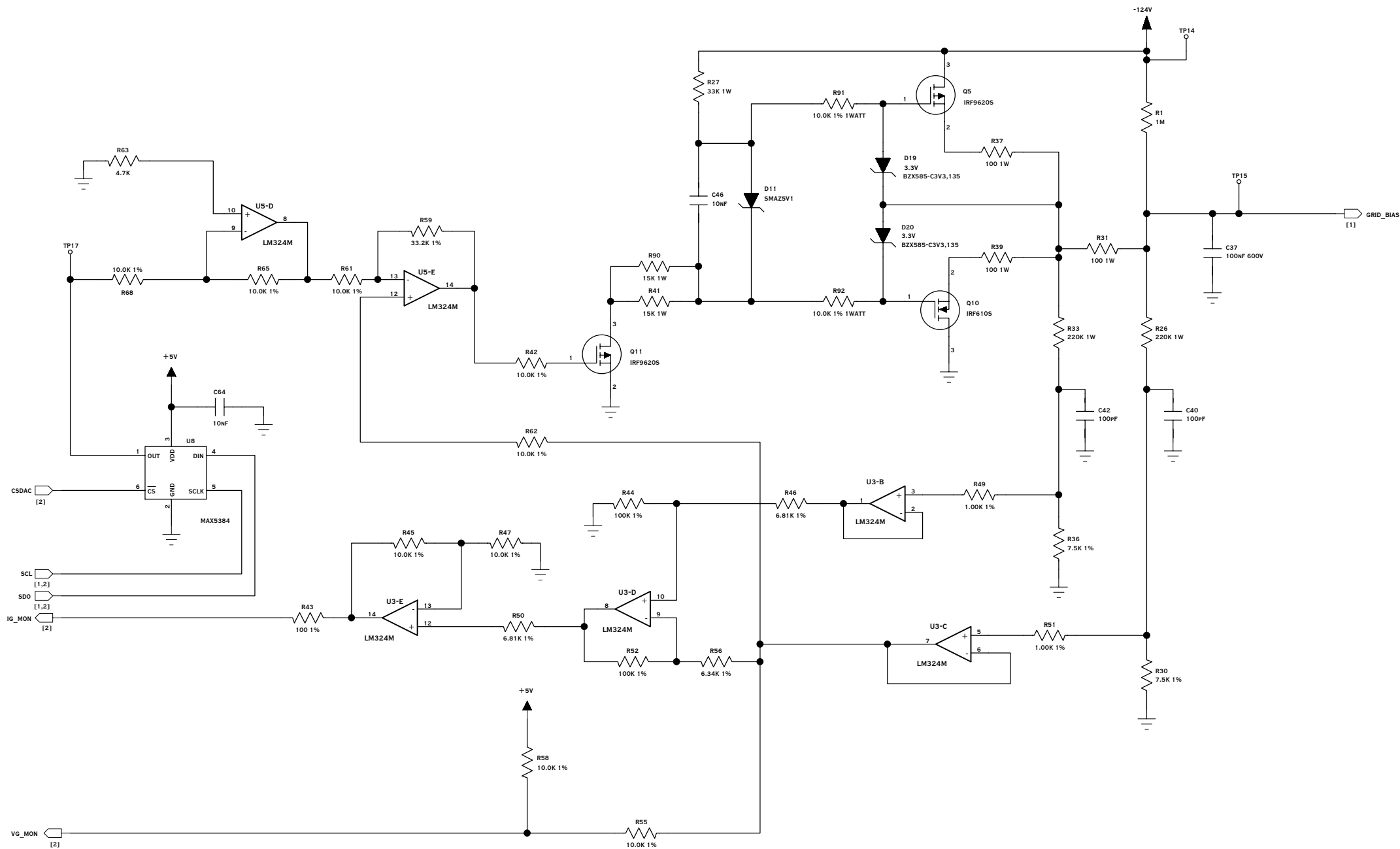
B

A

A



PROJECT NO. <b>8410</b>	<b>RF CONCEPTS LLC</b>		6185 ARAPAHOE RD. BOULDER, COLORADO 80303 PHONE: (303) 473-9232 FAX: (303) 473-9660
ENGINEER: <b>G. HARDMAN</b>	DATE: <b>01/15/10</b>	TITLE: <b>ALPHA 8410 CONTROLLER</b>	
DRAWN BY: <b>B. FOCKEN</b>	DRAFT DATE: <b>01/15/10</b>	SIZE: <b>C</b> DRAWING #: <b>ABX-X439</b> REV. <b>A</b>	
DRAWING FILE: <b>BCX-X439_REV_A.SCH</b>	SCALE:		SHEET 3 OF 6



PROJECT NO. 8410		6185 ARAPAHOE RD. BOULDER, COLORADO 80303	
ENGINEER: G. HARDMAN	DATE: 01/15/10	PHONE: (303) 473-9232	
DRAWN BY: B. FOCKEN	DRAFT DATE: 01/15/10	FAX: (303) 473-9660	
DRAWING FILE: BCX-X439_REV_A.SCH GRID BIAS		TITLE: ALPHA 8410 CONTROLLER	
SIZE: C	DRAWING #: ABX-X439	REV.:	A
PADS POWERLOGIC DRAWING		SCALE:	SHEET 4 OF 6

6

5

4

3

2

1

D

D

C

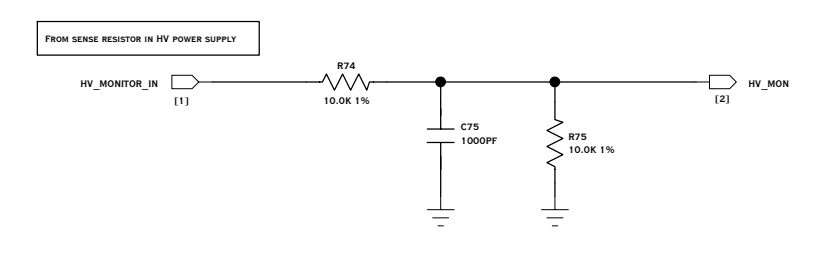
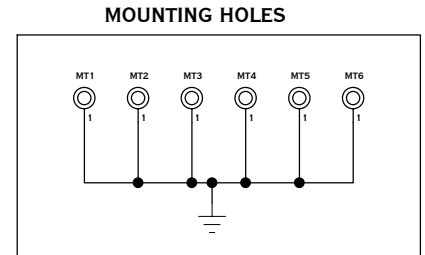
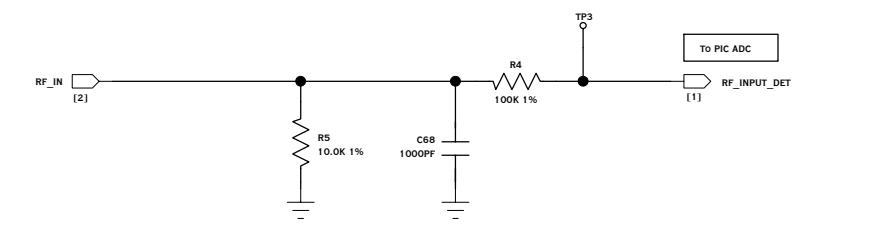
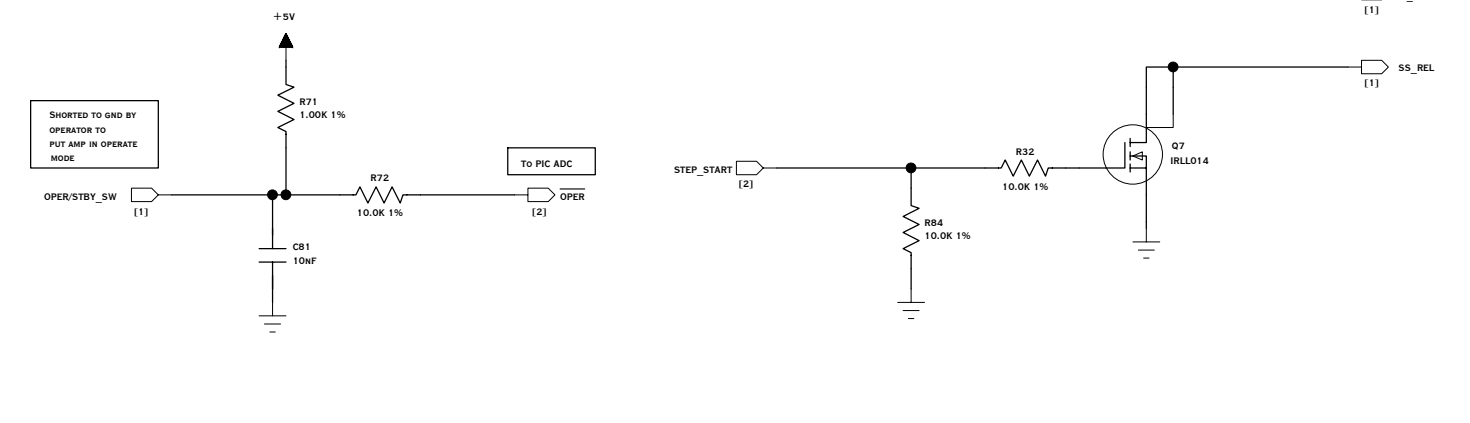
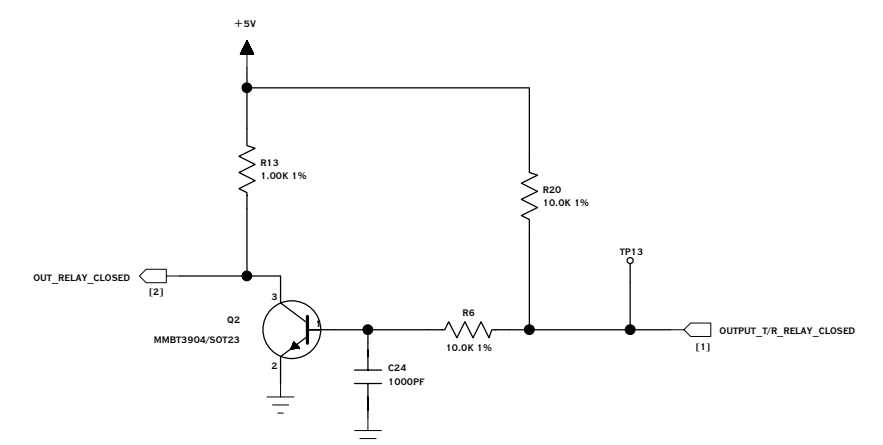
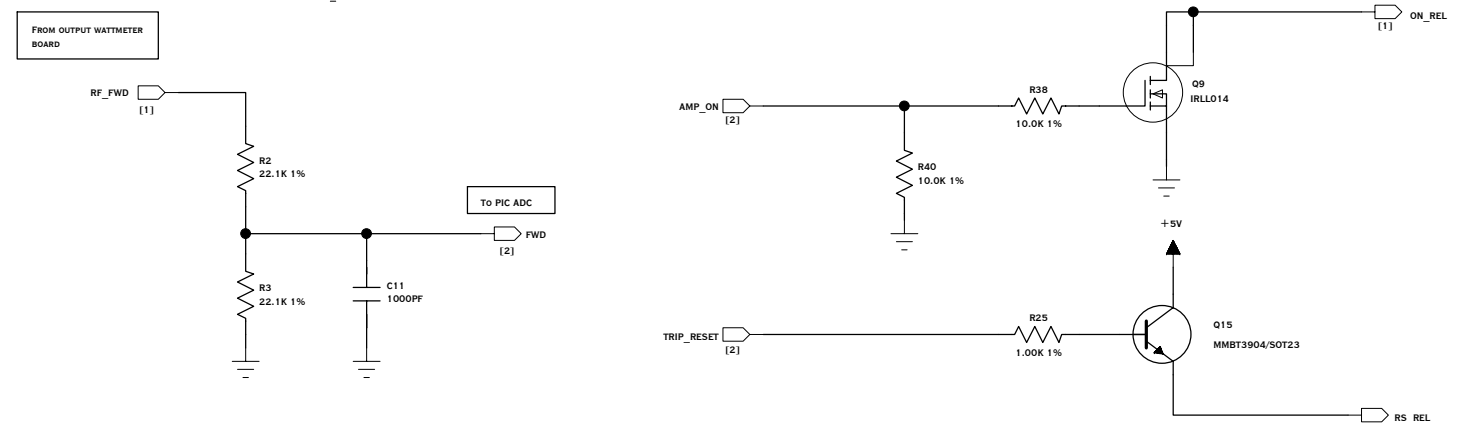
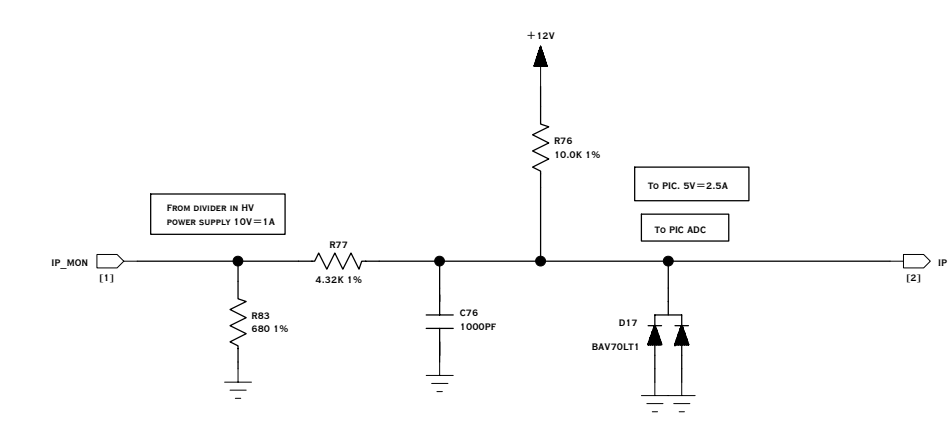
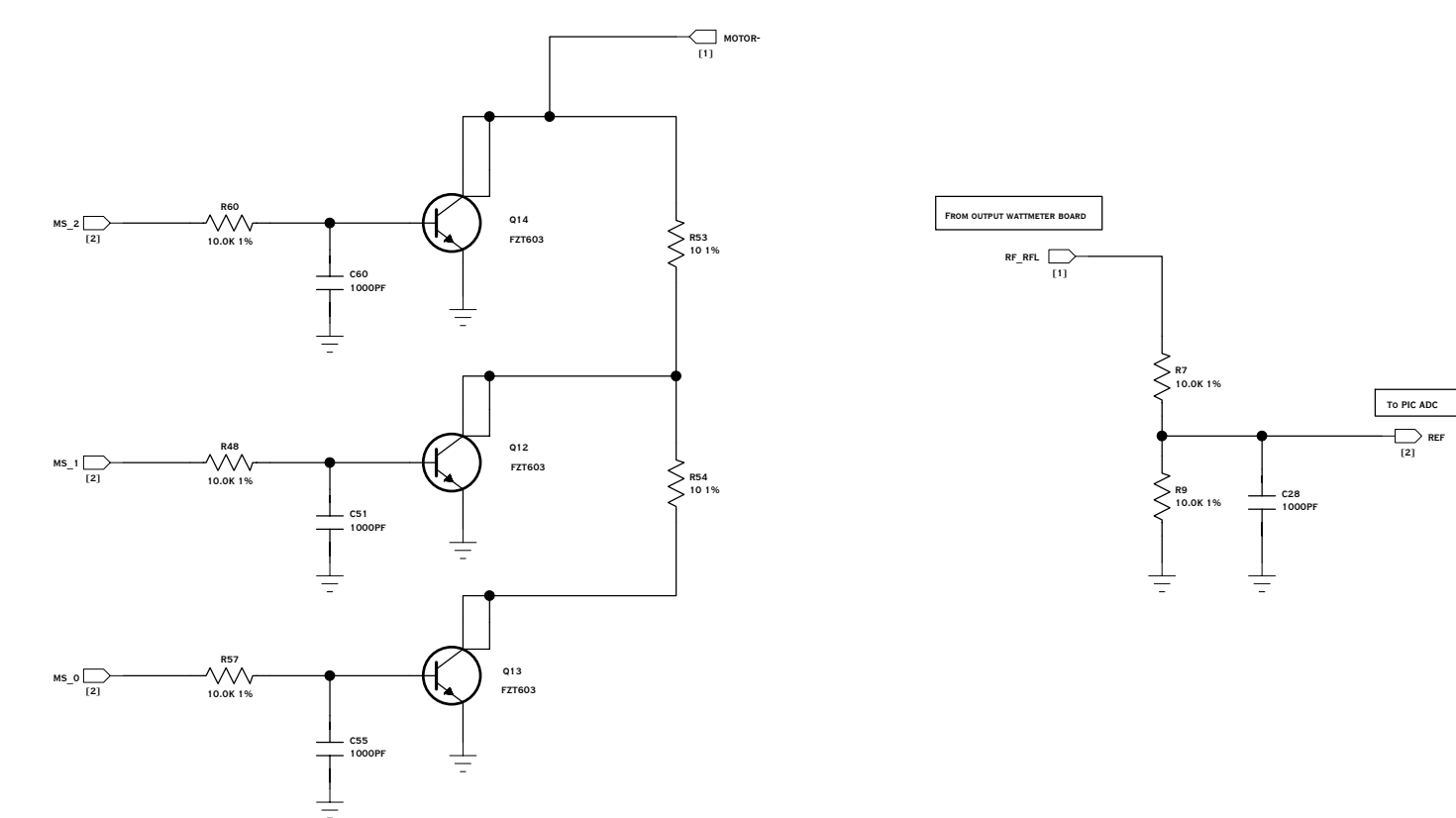
C

B

B

A

A



PROJECT NO. <b>8410</b>	DATE 01/15/10	<b>RF CONCEPTS LLC</b>		6185 ARAPAHOE RD. BOULDER, COLORADO 80303 PHONE: (303) 473-9232 FAX: (303) 473-9660
ENGINEER <b>G. HARDMAN</b>	DRAWN BY <b>B. FOCKEN</b>	TITLE <b>ALPHA 8410 CONTROLLER</b>		
DRAWING FILE: <b>BCX-X439_REV_A.SCH</b>		SIZE <b>C</b>	DRAWING # <b>ABX-X439</b>	REV. <b>A</b>
PADS POWERLOGIC DRAWING		SCALE	SHEET 5 OF 6	

6

5

4

3

2

1

D

D

C

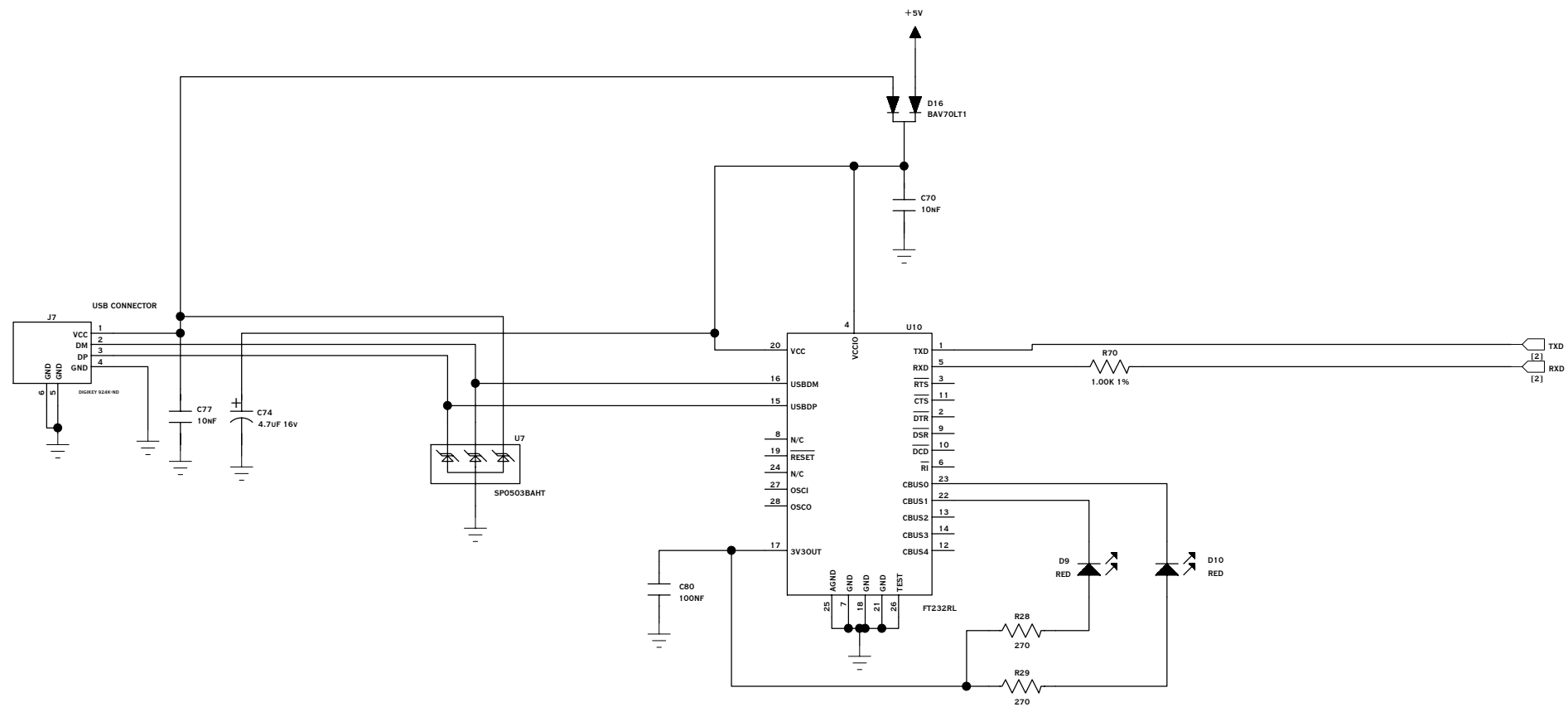
C

B

B

A

A



PROJECT NO. <b>8410</b>	DATE: 01/15/10		6185 ARAPAHOE RD. BOULDER, COLORADO 80303 PHONE: (303) 473-9232 FAX: (303) 473-9660	
ENGINEER: G. HARDMAN	DRAWN BY: B. FOCKEN		<b>RF CONCEPTS LLC</b>	
DRAWING FILE: BCX-X439_REV_A.SCH	TITLE: ALPHA 8410 CONTROLLER			
USB	SIZE C	DRAWING # BCX-X439	REV. A	
PADS POWERLOGIC DRAWING	SCALE		SHEET 6 OF 6	



6

5

4

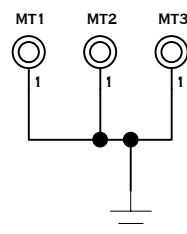
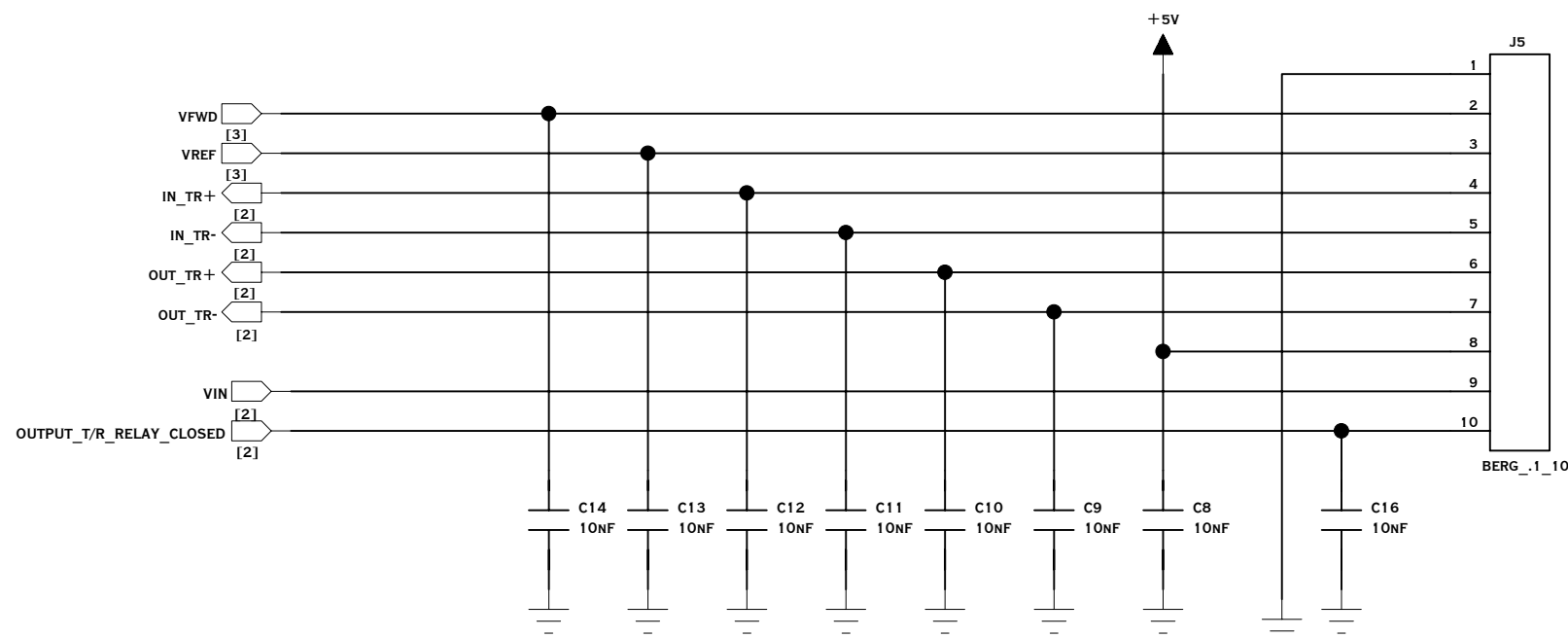
3

2

1

REVISION HISTORY

REV	ECO NO.	DESCRIPTION	CHANGED BY & DATE	CHECKED BY & DATE	EFFECTIVITY DATE



UNLESS OTHERWISE SPECIFIED  
DIMENSIONS ARE IN INCHES  
TOLERANCES ARE:  
.XX +/- 0.01      ANGLE: 0.5  
.XXX +/- 0.001

PROPRIETARY NOTICE:  
THIS DOCUMENT AND DATA DISCLOSED  
HEREIN AND HERewith IS NOT  
TO BE REPRODUCED, USED,  
OR DISCLOSED IN WHOLE OR  
ANY PART TO ANYONE WITHOUT  
THE PERMISSION OF RF CONCEPTS LLC.

PROJECT NO.  
**8410**

ENGINEER: G. HARDMAN      DATE: 02/09/09

DRAWN BY: B. FOCKEN      DRAFT DATE: 02/09/09

DRAWING FILE:  
**BCX-X438\_REV\_2.SCH**

PADS POWERLOGIC DRAWING

**RF CONCEPTS LLC**  
6185 ARAPAHOE RD.  
BOULDER, COLORADO 80303  
PHONE: (303) 473-9232  
FAX: (303) 473-9660

TITLE:  
**SCH,OUTPUT T/R**

SIZE <b>B</b>	DRAWING # <b>BCX-X438</b>	REV. <b>2</b>
------------------	------------------------------	------------------

SCALE      SHEET 1 OF 3

D

D

C

C

B

B

A

A

6

5

4

3

2

1

D

D

C

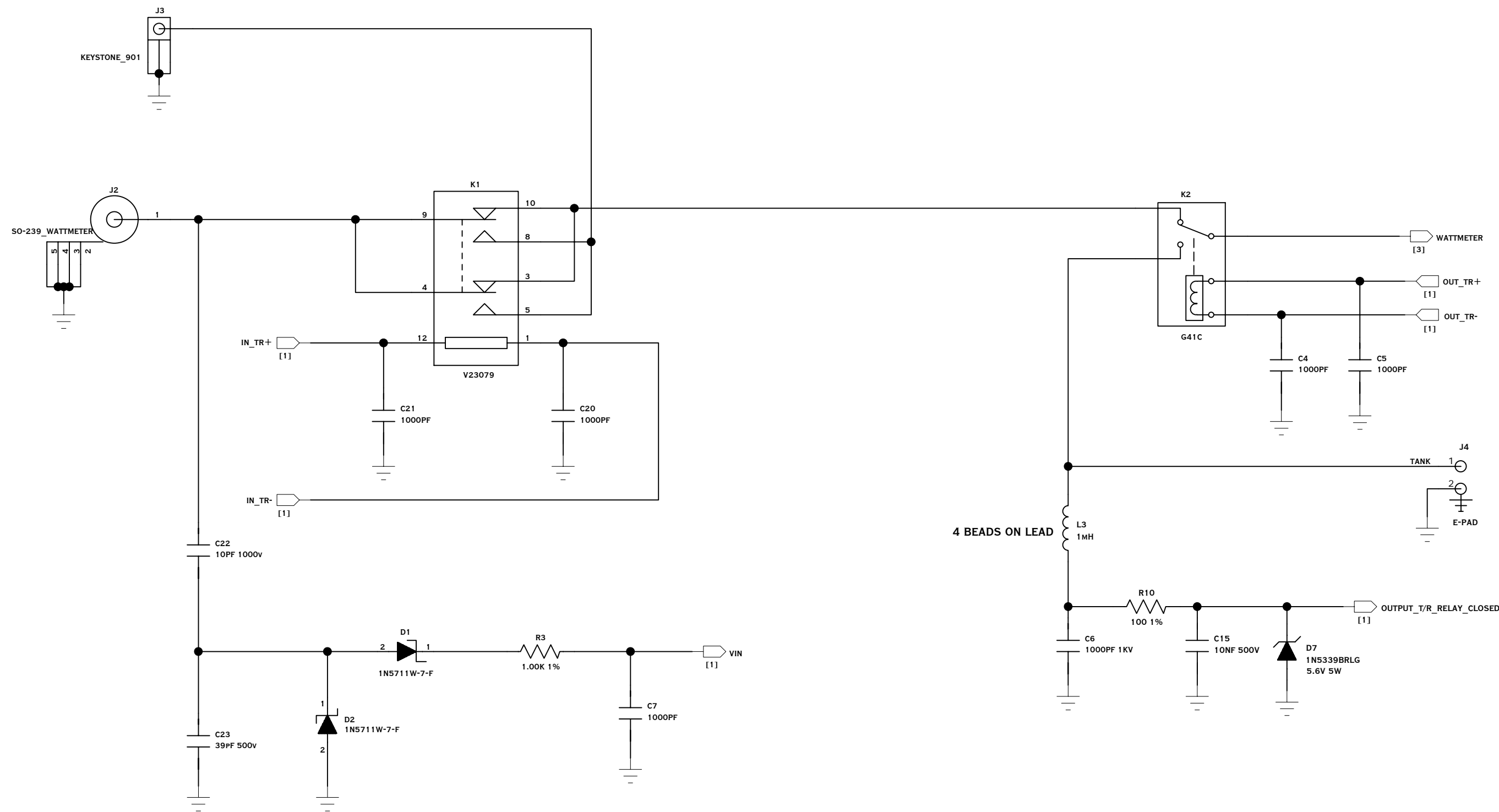
C

B

B

A

A



UNLESS OTHERWISE SPECIFIED  
DIMENSIONS ARE IN INCHES  
TOLERANCES ARE:  
.XX +/- 0.01 ANGLE: 0.5  
.XXX +/- 0.001

PROPRIETARY NOTICE:  
THIS DOCUMENT AND DATA DISCLOSED  
HEREIN AND HEREWITH IS NOT  
TO BE REPRODUCED, USED,  
OR DISCLOSED IN WHOLE OR  
ANY PART TO ANYONE WITHOUT  
THE PERMISSION OF RF CONCEPTS LLC.

PROJECT NO. **8410**  
ENGINEER: **G. HARDMAN** DATE: **02/09/09**  
DRAWN BY: **B. FOCKEN** DRAFT DATE: **02/09/09**

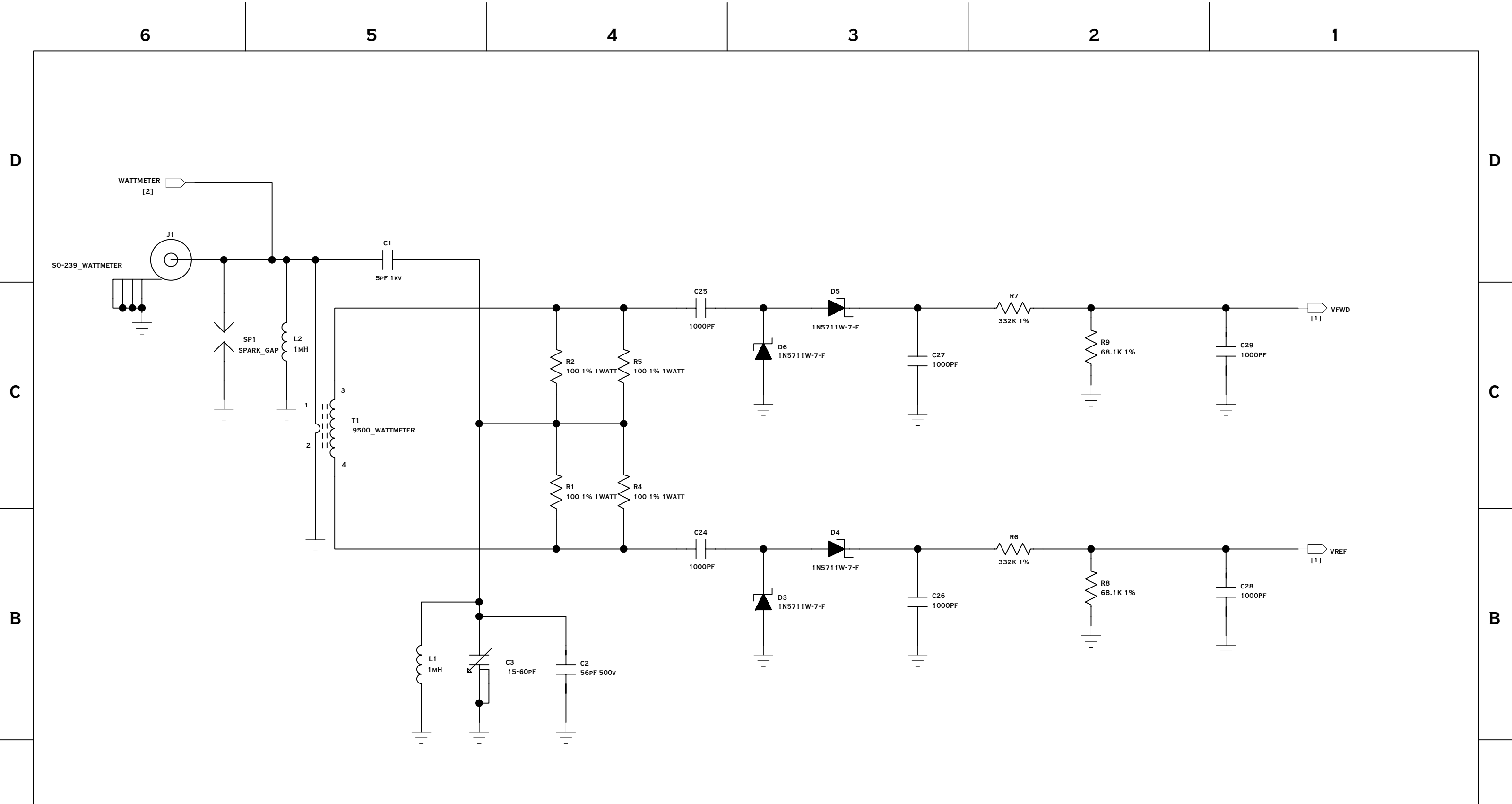
DRAWING FILE:  
**BCX-X438\_REV\_2.SCH**  
PADS POWERLOGIC DRAWING

**RF CONCEPTS LLC**  
6185 ARAPAHOE RD.  
BOULDER, COLORADO 80303  
PHONE: (303) 473-9232  
FAX: (303) 473-9660

TITLE:  
**SCH,OUTPUT T/R**

SIZE <b>B</b>	DRAWING # <b>BCX-X438</b>	REV. <b>2</b>
------------------	------------------------------	------------------

SCALE SHEET 2 OF 3



UNLESS OTHERWISE SPECIFIED  
DIMENSIONS ARE IN INCHES  
TOLERANCES ARE:  
.XX +/- 0.01      ANGLE: 0.5  
.XXX +/- 0.001

PROPRIETARY NOTICE:  
THIS DOCUMENT AND DATA DISCLOSED  
HEREIN AND HEREWITH IS NOT  
TO BE REPRODUCED, USED,  
OR DISCLOSED IN WHOLE OR  
ANY PART TO ANYONE WITHOUT  
THE PERMISSION OF RF CONCEPTS LLC.

PROJECT NO.  
**8410**  
ENGINEER:  
G. HARDMAN      DATE:  
02/09/09  
DRAWN BY:  
B. FOCKEN      DRAFT DATE:  
02/09/09

DRAWING FILE:  
**BCX-X438\_REV\_2.SCH**  
PADS POWERLOGIC DRAWING

<b>RF CONCEPTS LLC</b>		6185 ARAPAHOE RD. BOULDER, COLORADO 80303 PHONE: (303) 473-9232 FAX: (303) 473-9660	
		TITLE: <b>SCH,OUTPUT T/R</b>	
SIZE <b>B</b>	DRAWING # <b>BCX-X438</b>	REV. <b>2</b>	
SCALE		SHEET 3 OF 3	

6

5

4

3

2

1

D

D

C

C

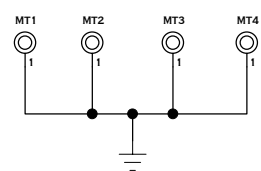
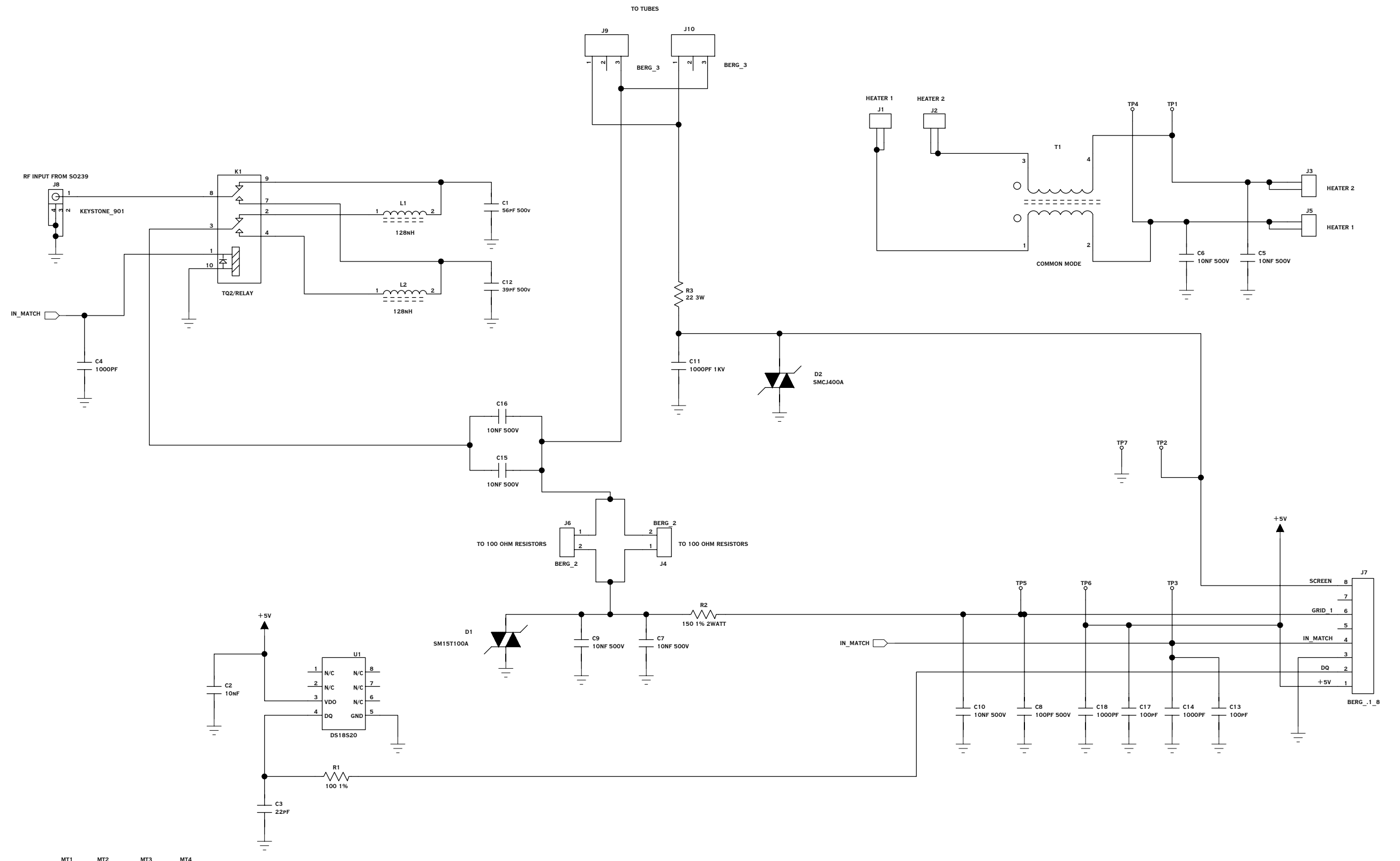
B

B

A

A

REVISION HISTORY					
REV	ECO NO.	DESCRIPTION	CHANGED BY & DATE	CHECKED BY & DATE	EFFECTIVITY DATE



UNLESS OTHERWISE SPECIFIED DIMENSIONS ARE IN INCHES TOLERANCES ARE: .XX +/- 0.01 ANGLE: 0.5 .XXX +/- 0.001	PROJECT NO. 8410	<b>RF CONCEPTS LLC</b> 6185 ARAPAHOE RD. BOULDER, COLORADO 80303 PHONE: (303) 473-9232 FAX: (303) 473-9660	
	ENGINEER: G. HARDMAN DRAWN BY: B. FOCKEN		
PROPRIETARY NOTICE: THIS DOCUMENT AND DATA DISCLOSED HEREIN AND HEREWITH IS NOT TO BE REPRODUCED, USED, OR DISCLOSED IN WHOLE OR ANY PART TO ANYONE WITHOUT THE PERMISSION OF RF CONCEPTS LLC.	DRAWING FILE: BCX-X437_REV_1.SCH CONTROLLER	TITLE: <b>SCH,TUBE DECK,8410</b>	
PADS POWERLOGIC DRAWING	SCALE	SIZE c	DRAWING # <b>BCX-X437</b>
			REV. <b>2</b>
			SHEET 1 OF 1

6

5

4

3

2

1

D

C

B

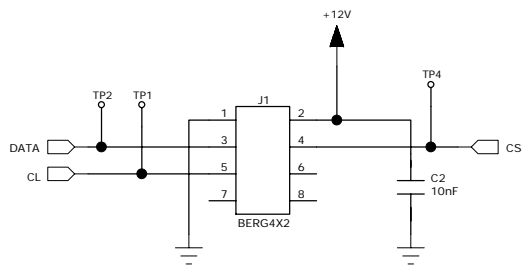
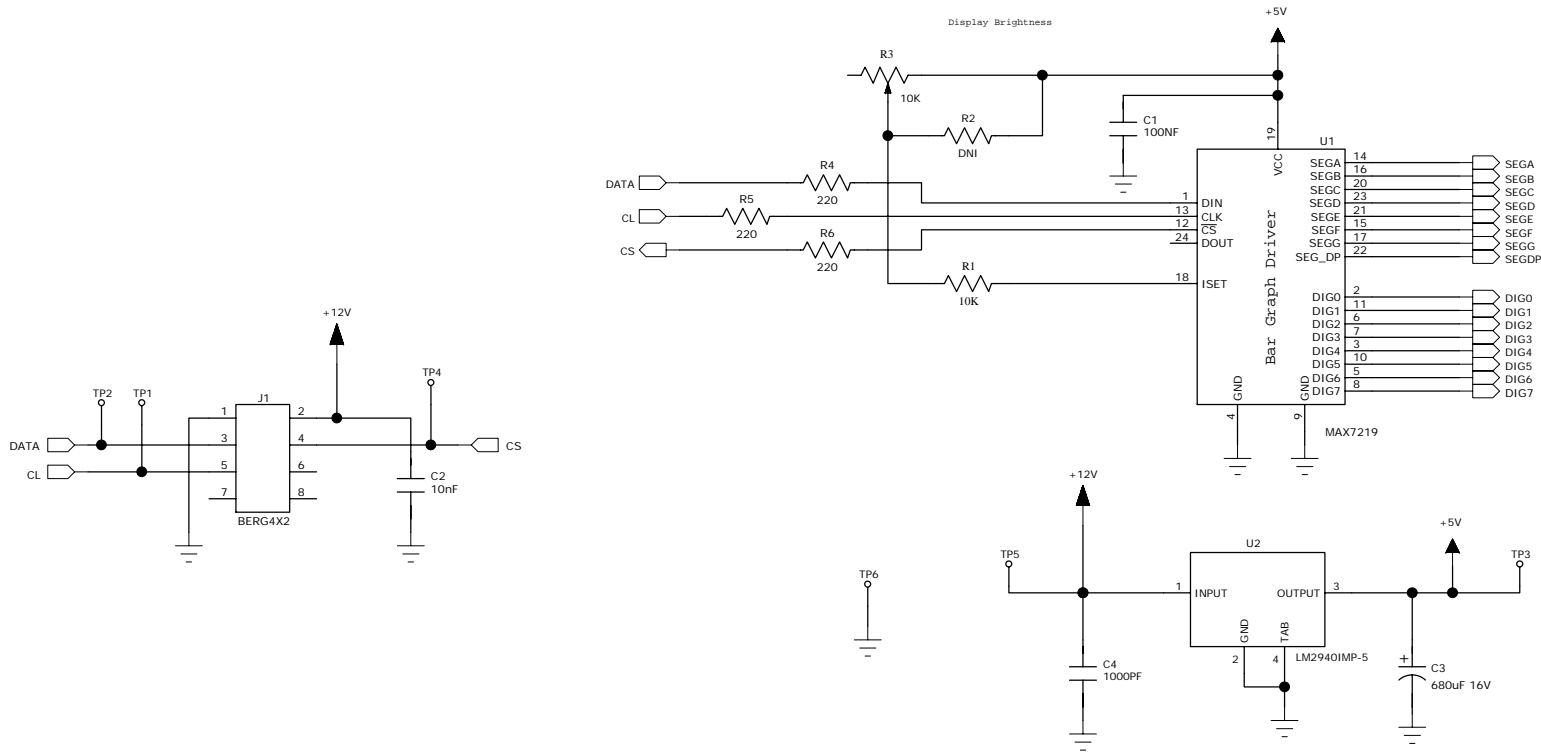
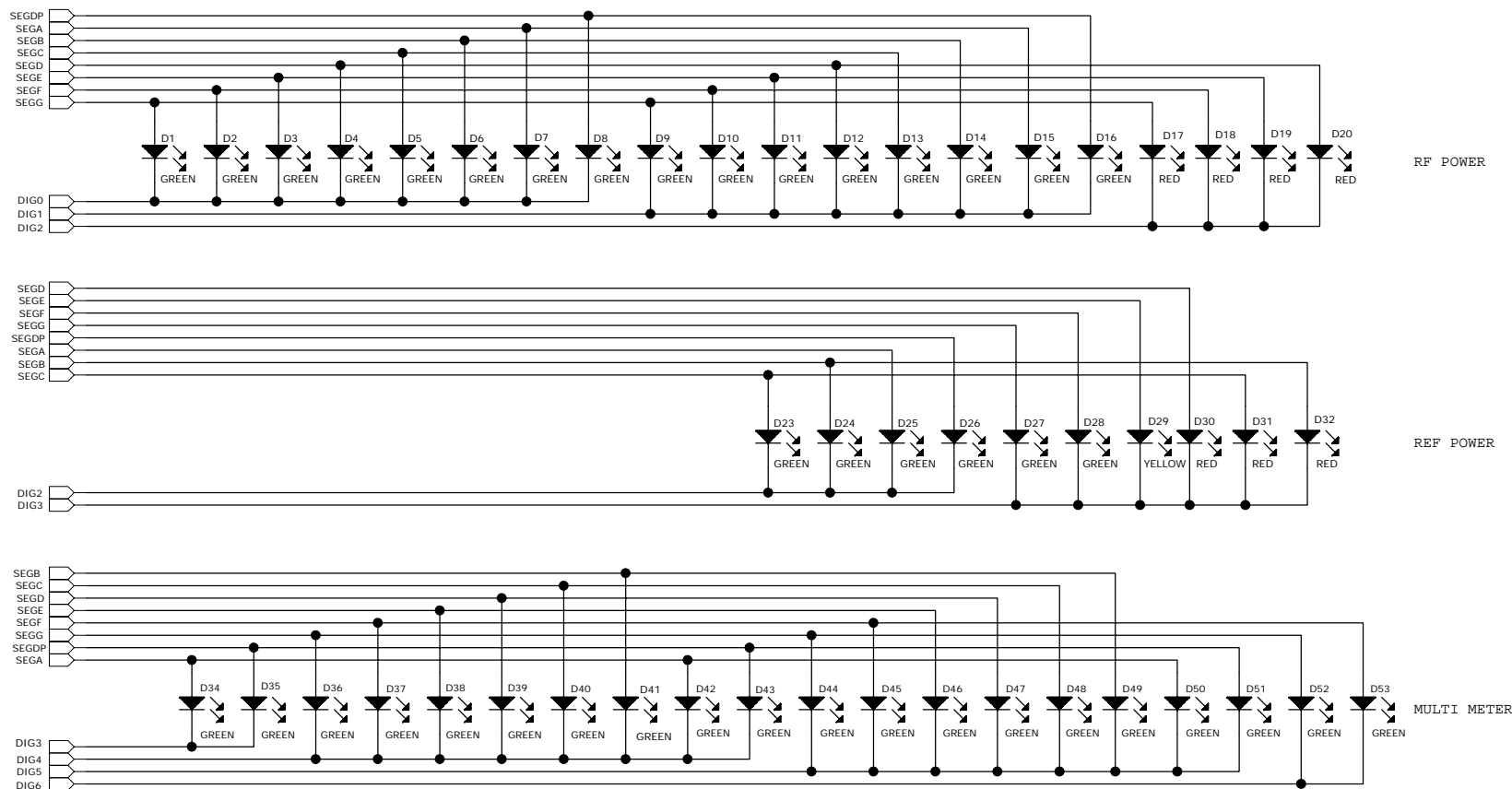
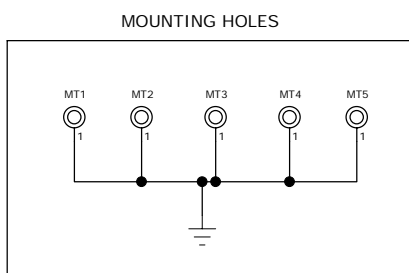
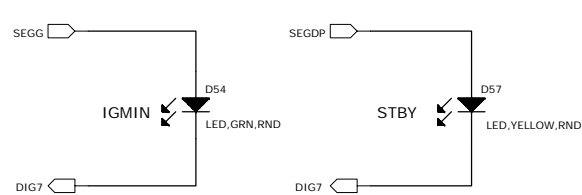
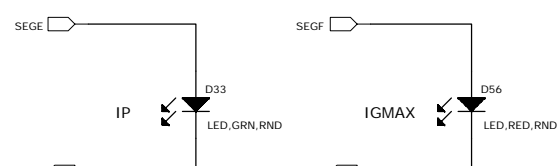
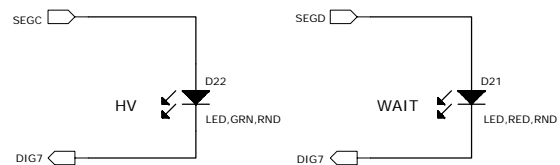
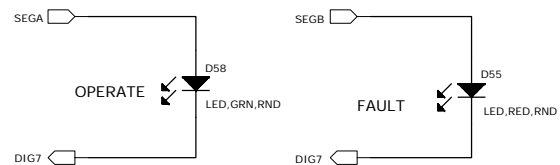
A

D

C

B

A

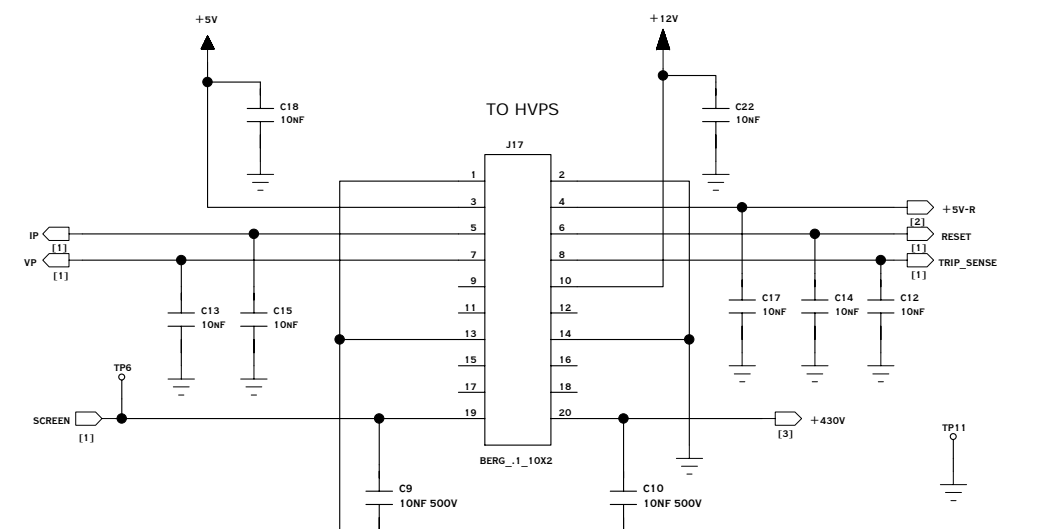
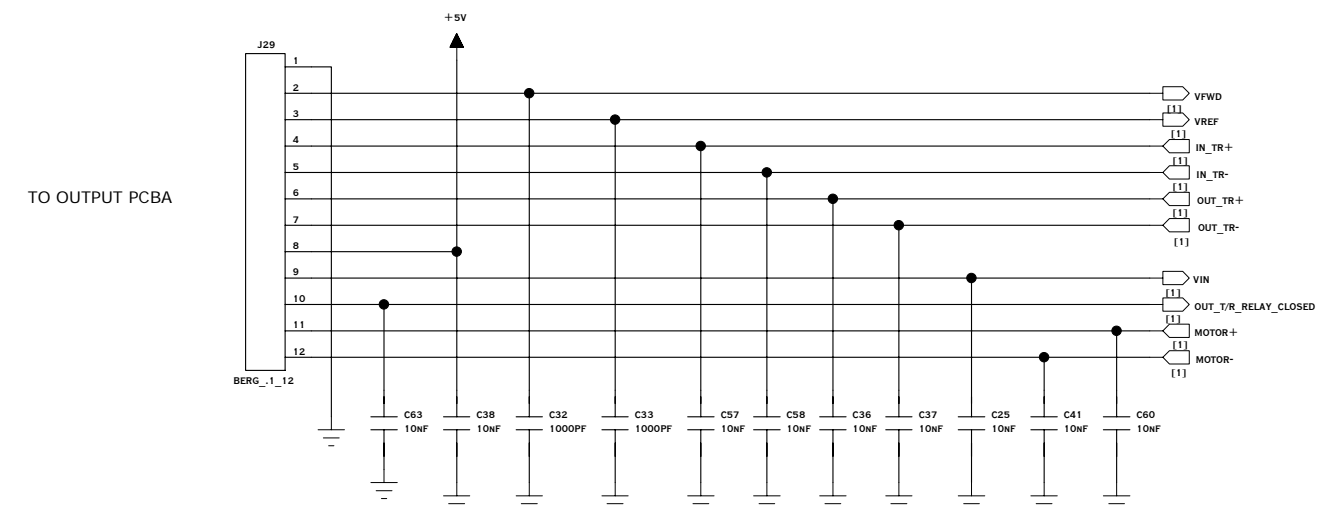


UNLESS OTHERWISE SPECIFIED DIMENSIONS ARE IN INCHES TOLERANCES ARE: XX +/- 0.01 ANGLE: 0.5 XXX +/- 0.001	PROJECT NO. 8410	RF CONCEPTS LLC 6185 ARAPAHOE RD. BOULDER, COLORADO 80303 PHONE: (303) 473-9232 FAX: (303) 473-9660
	ENGINEER: G. HARDMAN DATE: 12/15/08 DRAWN BY: B. FOCKEN DRAFT DATE: 12/15/08	
PROPRIETARY NOTICE: THIS DOCUMENT AND DATA DISCLOSED HEREIN AND HEREWITH IS NOT TO BE REPRODUCED, USED, OR DISCLOSED IN WHOLE OR ANY PART TO ANYONE WITHOUT THE PERMISSION OF RF CONCEPTS LLC.	TITLE: SCH,8410,DIGITAL DISPLAY	REV. 3
PADS POWERLOGIC DRAWING	SIZE C DRAWING # BCX-X428	SCALE SHEET 1 OF 1

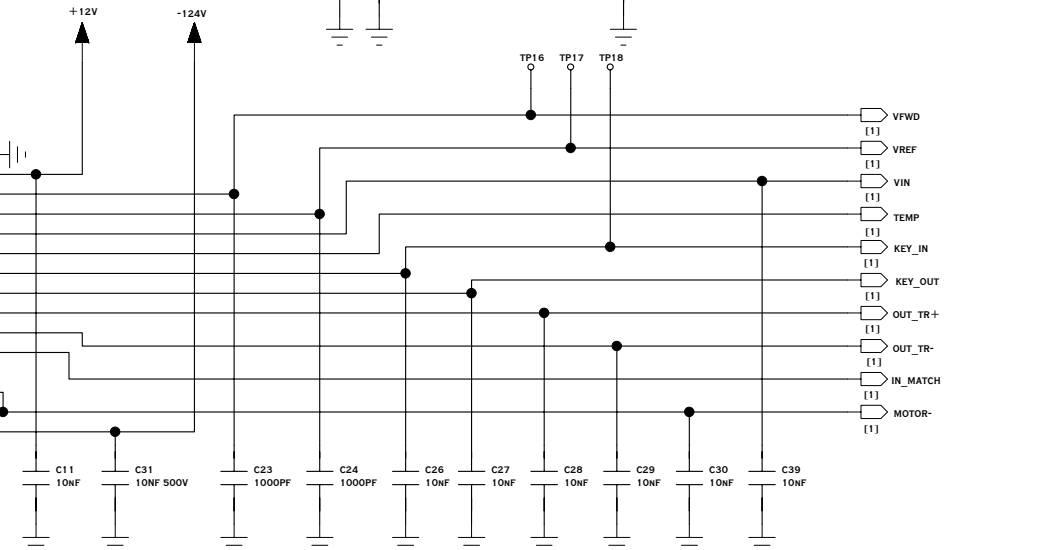
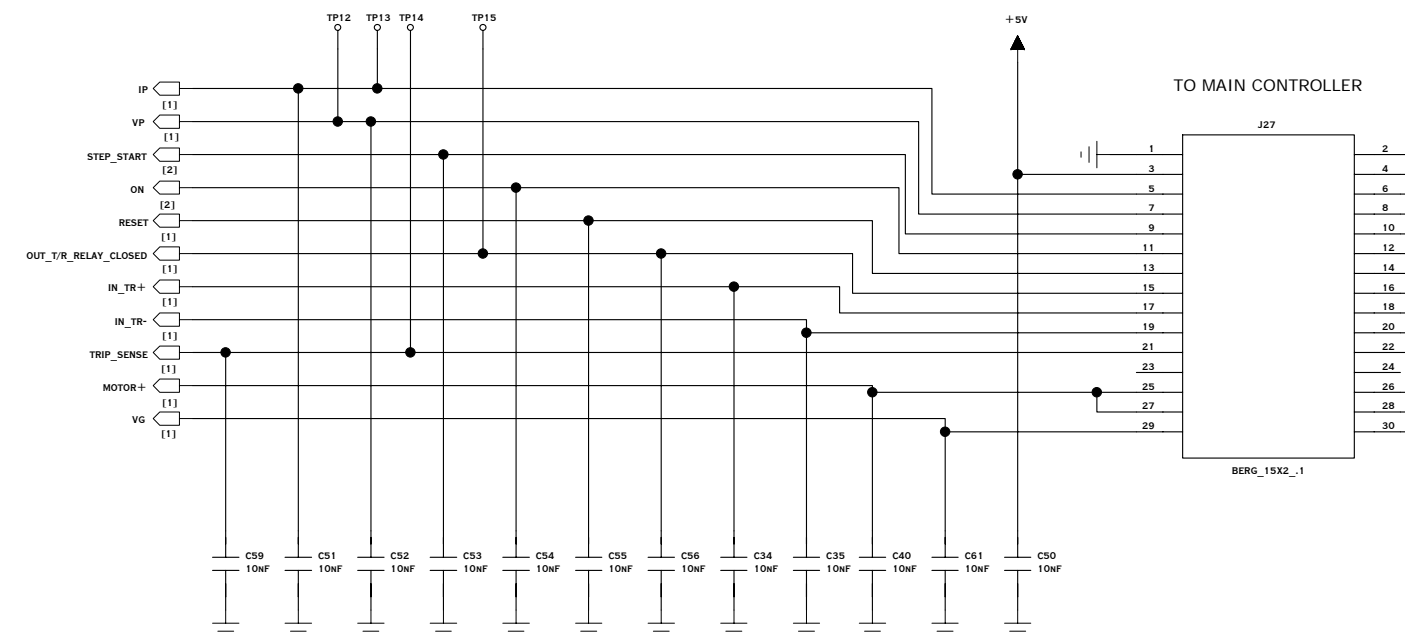
6 5 4 3 2 1

D

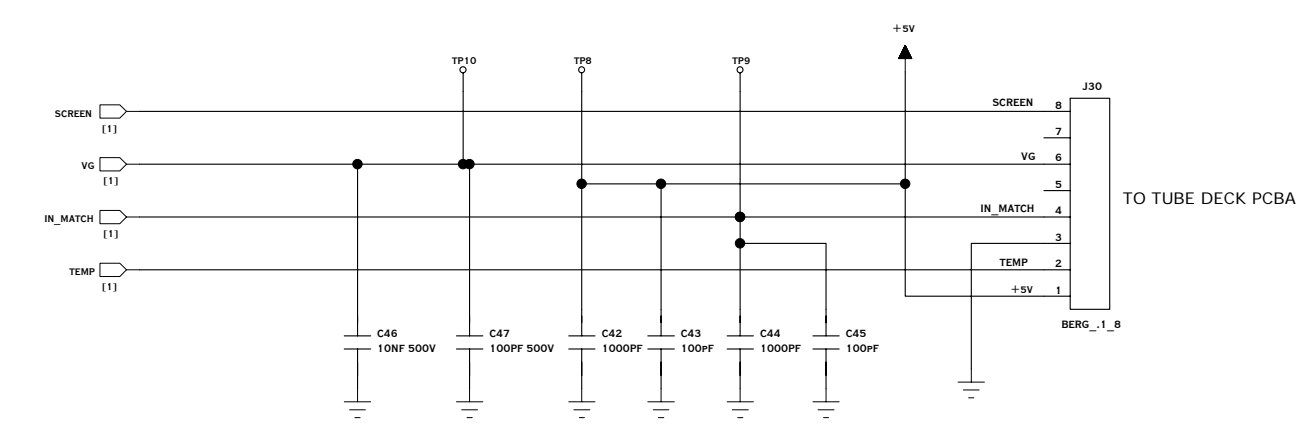
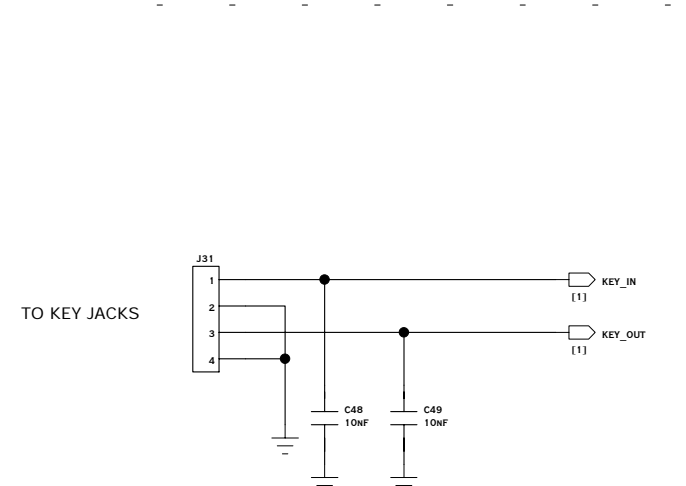
REVISION HISTORY					
REV	ECO NO.	DESCRIPTION	CHANGED BY & DATE	CHECKED BY & DATE	EFFECTIVITY DATE



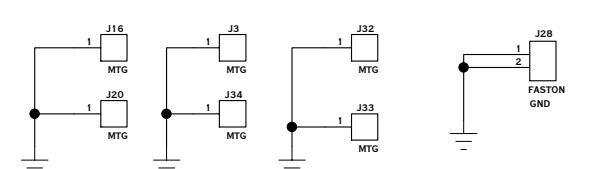
C



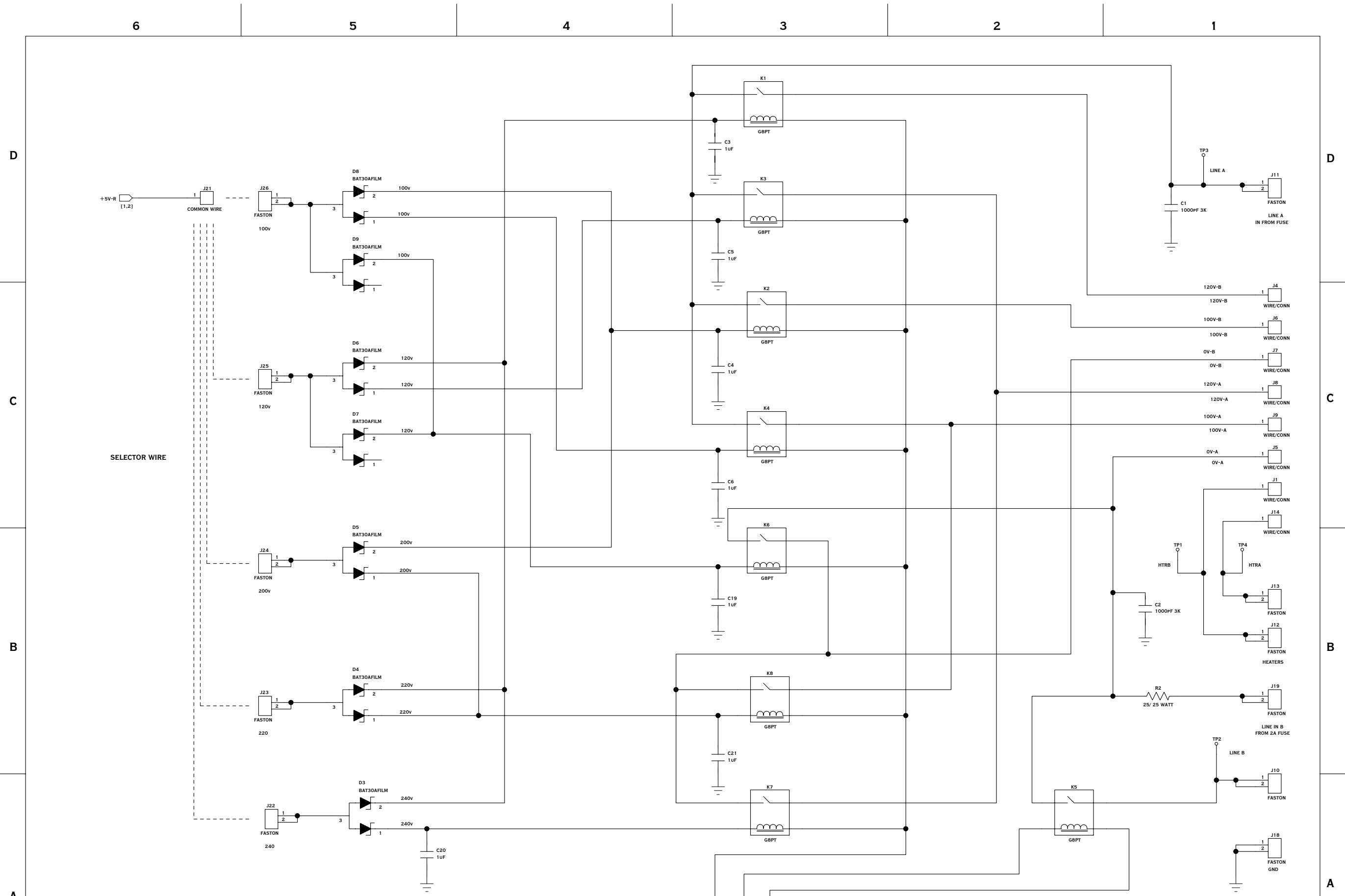
B



A



UNLESS OTHERWISE SPECIFIED DIMENSIONS ARE IN INCHES TOLERANCES ARE: .XX - .001 ANGLE: 0.5 .XX - .001	PROJECT NO. <b>8410</b> ENGINEER: <b>G. HARDMAN</b> DATE: <b>02/05/09</b> DRAWN BY: <b>B. FOCKEN</b> DRAFT DATE: <b>02/05/09</b>	<b>RF CONCEPTS LLC</b> 6185 ARAPAHOE RD. BOULDER, COLORADO 80303 PHONE: (303) 473-9232 FAX: (303) 473-9660	
	PROPRIETARY NOTICE: THIS DOCUMENT AND DATA DISCLOSED HEREIN AND HERETHWITH IS NOT TO BE REPRODUCED, USED, OR DISCLOSED IN WHOLE OR ANY PART TO ANYONE WITHOUT THE PERMISSION OF RF CONCEPTS LLC.	DRAWING FILE: <b>BCX-X815_REV_2.SCH</b>	TITLE: <b>SCH, ALPHA 8410, MAINS</b>
PADS POWERLOGIC DRAWING	SIZE: <b>C</b>	DRAWING #: <b>BCX-X815</b>	REV. <b>2</b>
SCALE:		SHEET 1 OF 3	

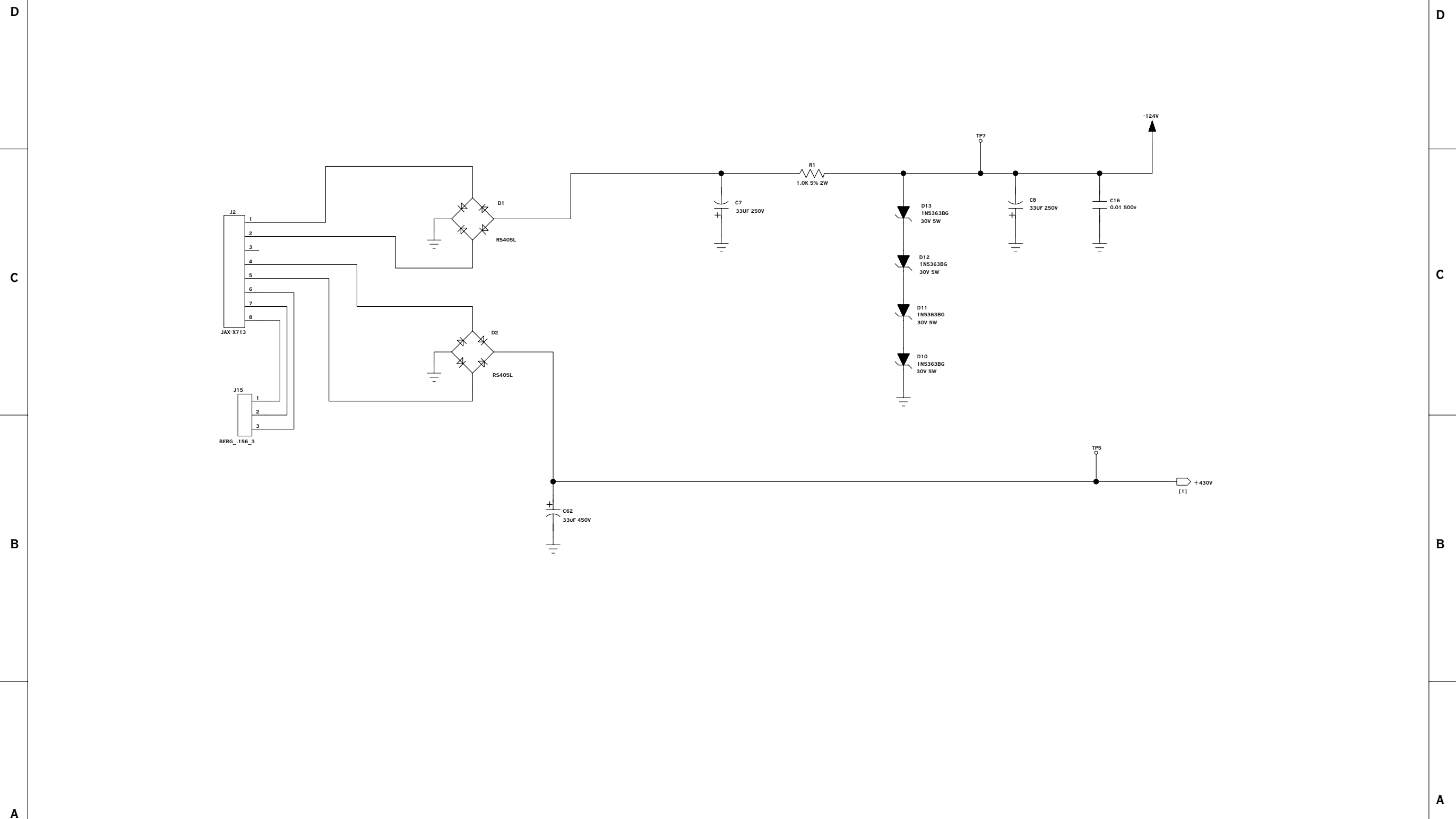


D  
C  
B  
A

D  
C  
B  
A

<small>UNLESS OTHERWISE SPECIFIED DIMENSIONS ARE IN INCHES TOLERANCES ARE: XX +/- 0.01 ANGLE: 0.5 XXX +/- 0.001</small>	<small>PROJECT NO.</small> 8410	<b>RF CONCEPTS LLC</b> <small>6185 ARAPAHOE RD. BOULDER, COLORADO 80303 PHONE: 303-473-9232 FAX: 303-473-9660</small>		
	<small>DRAWN BY:</small> B. FOCKEN	<small>DRAFT DATE:</small> 02/05/09	<small>TITLE:</small> <b>SCH,ALPHA 8410,MAINS</b>	
<small>PROPRIETARY NOTICE:</small> THIS DOCUMENT AND DATA DISCLOSED HEREIN AND HEREWITH IS NOT TO BE REPRODUCED, COPIED, OR DISCLOSED IN WHOLE OR ANY PART TO ANYONE WITHOUT THE PERMISSION OF RF CONCEPTS LLC.	<small>DRAWING FILE:</small> BCX-X815_REV_2.SCH	<small>SIZE</small> <b>C</b>	<small>DRAWING #</small> <b>BCX-815</b>	<small>REV.</small> <b>2</b>
<small>PADS POWERLOGIC DRAWING</small>		<small>SCALE</small>		<small>SHEET 2 OF 3</small>

6 5 4 3 2 1



A B C D

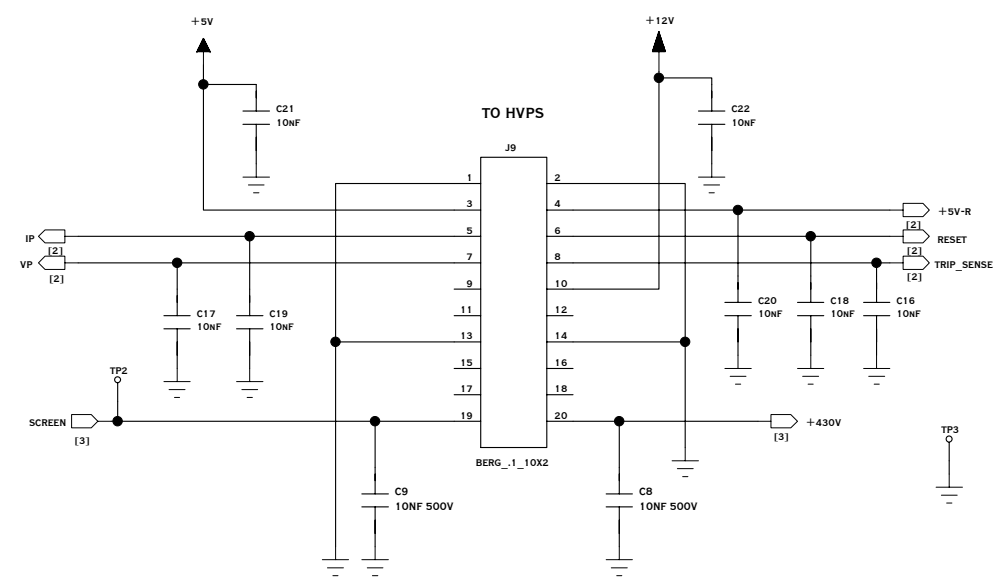
<small>UNLESS OTHERWISE SPECIFIED DIMENSIONS ARE IN INCHES TOLERANCES ARE:  XX ±0.01      ANGLE: 0.5 XXX ±0.001</small>	<small>PROJECT NO.</small> 8410	<small>6185 ARAPAHOE RD. BOULDER, COLORADO 80303 PHONE: 303-473-9232 FAX: 303-473-9660</small>		
	<small>DRAWN BY:</small> B. FOCKEN	<small>DRAFT DATE:</small> 02/05/09	<small>TITLE:</small> SCH,ALPHA 8410 MAINS	
<small>PROPRIETARY NOTICE: THIS DOCUMENT AND DATA DISCLOSED HEREIN AND HEREWITH IS NOT TO BE REPRODUCED, USED, OR DISCLOSED IN WHOLE OR ANY PART TO ANYONE WITHOUT THE PERMISSION OF RF CONCEPTS LLC.</small>	<small>DRAWING FILE:</small> BCX-X815_REV_2.SCH	<small>SIZE</small> C	<small>DRAWING #</small> BCX-815	<small>REV.</small> 2
<small>PADS POWERLOGIC DRAWING</small>		<small>SCALE</small>		<small>SHEET 3 OF 3</small>



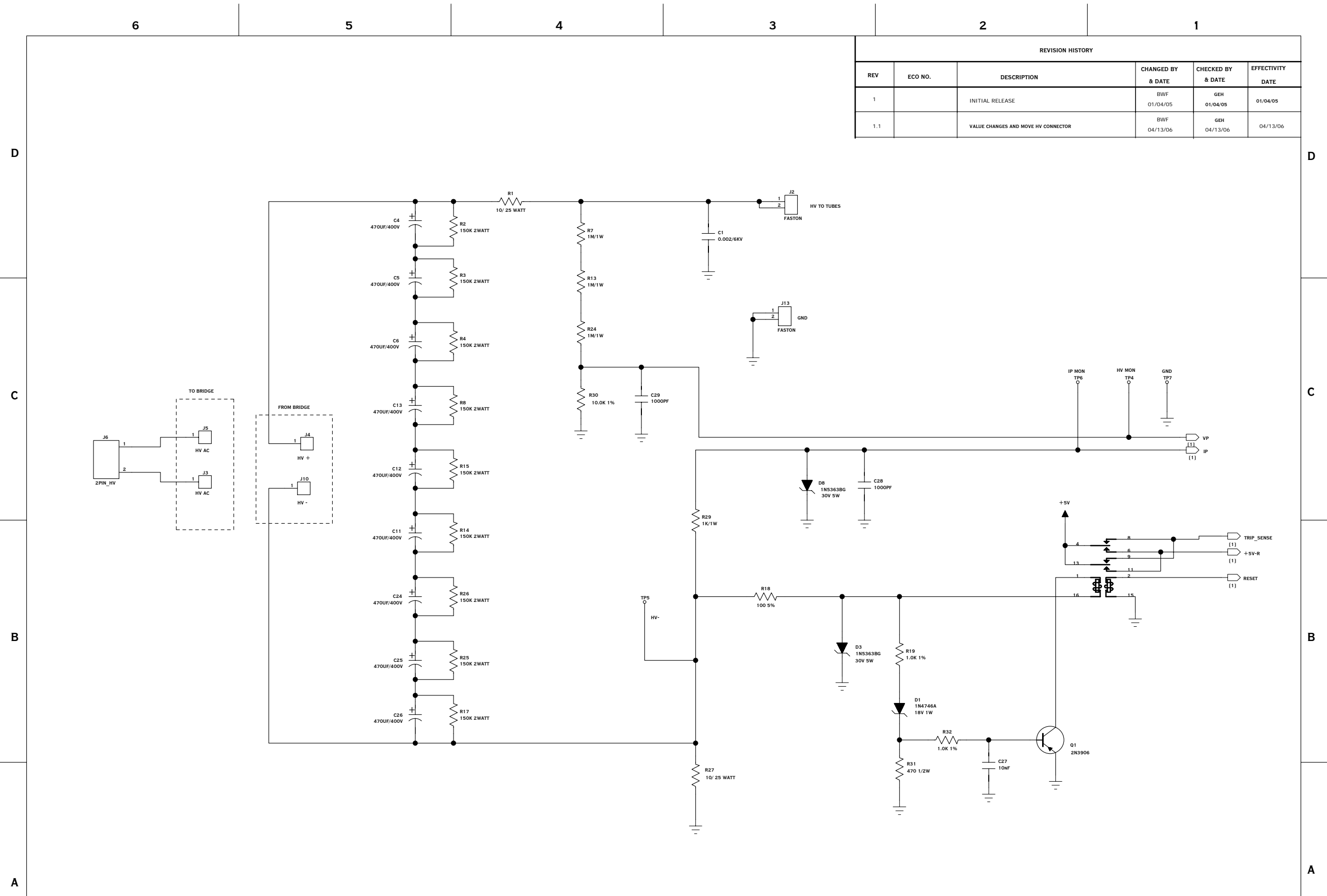
6 5 4 3 2 1

REVISION HISTORY					
REV	ECO NO.	DESCRIPTION	CHANGED BY & DATE	CHECKED BY & DATE	EFFECTIVITY DATE

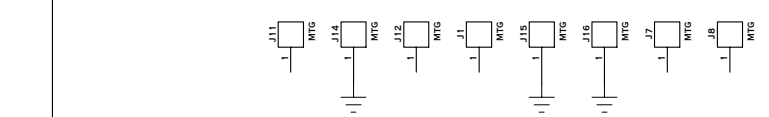
D  
C  
B  
A



UNLESS OTHERWISE SPECIFIED DIMENSIONS ARE IN INCHES TOLERANCES ARE: XX +/- 0.01 ANGLE: 0.5 XXX +/- 0.001	PROJECT NO. <b>8410</b>	6185 ARAPAHOE RD. BOULDER, COLORADO 80303 PHONE: (303) 473-9232 FAX: (303) 473-9660
	<b>ALPHA RADIO PRODUCTS LLC</b>	
PROPRIETARY NOTICE: THIS DOCUMENT AND DATA DISCLOSED HEREIN AND HEREWITH IS NOT TO BE REPRODUCED, USED, OR DISCLOSED IN WHOLE OR ANY PART TO ANYONE WITHOUT THE PERMISSION OF 8410 CONCEPTS LLC.	ENGINEER: G. HARDMAN DATE: 01/03/07	TITLE: <b>SCH,8410,HVPS</b>
	DRAWN BY: B. FOCKEN DRAFT DATE: 01/03/07	
COMPONENT TYPE = ELECTRICAL CATEGORY = CUSTOM DESIGNATION = NONE	DRAWING FILE: <b>BCX-X816_REV_2.SCH</b>	SCALE: SHEET 1 OF 3



REVISION HISTORY					
REV	ECO NO.	DESCRIPTION	CHANGED BY & DATE	CHECKED BY & DATE	EFFECTIVITY DATE
1		INITIAL RELEASE	BWF 01/04/05	GEH 01/04/05	01/04/05
1.1		VALUE CHANGES AND MOVE HV CONNECTOR	BWF 04/13/06	GEH 04/13/06	04/13/06



UNLESS OTHERWISE SPECIFIED DIMENSIONS ARE IN INCHES TOLERANCES ARE: XX +/- 0.01 ANGLE: 0.5 .XXX +/- 0.001	PROJECT NO. 8410	<b>RF CONCEPTS LLC</b>	
	ENGINEER: G. HARDMANN DATE: 01/03/07		
PROPRIETARY NOTICE: THIS DOCUMENT AND DATA DISCLOSED HEREIN AND HEREIN IS NOT TO BE REPRODUCED, USED, OR DISCLOSED IN WHOLE OR ANY PART TO ANYONE WITHOUT THE PERMISSION OF RF CONCEPTS LLC.	DRAWING FILE: BCX-X816_REV_2.SCH		TITLE: SCH,ALPHA 8410, HVPS
	PADS POWERLOGIC DRAWING	SIZE C	DRAWING # BCX-X416
	SCALE		REV. 2
			SHEET 2 OF 3

A

B

C

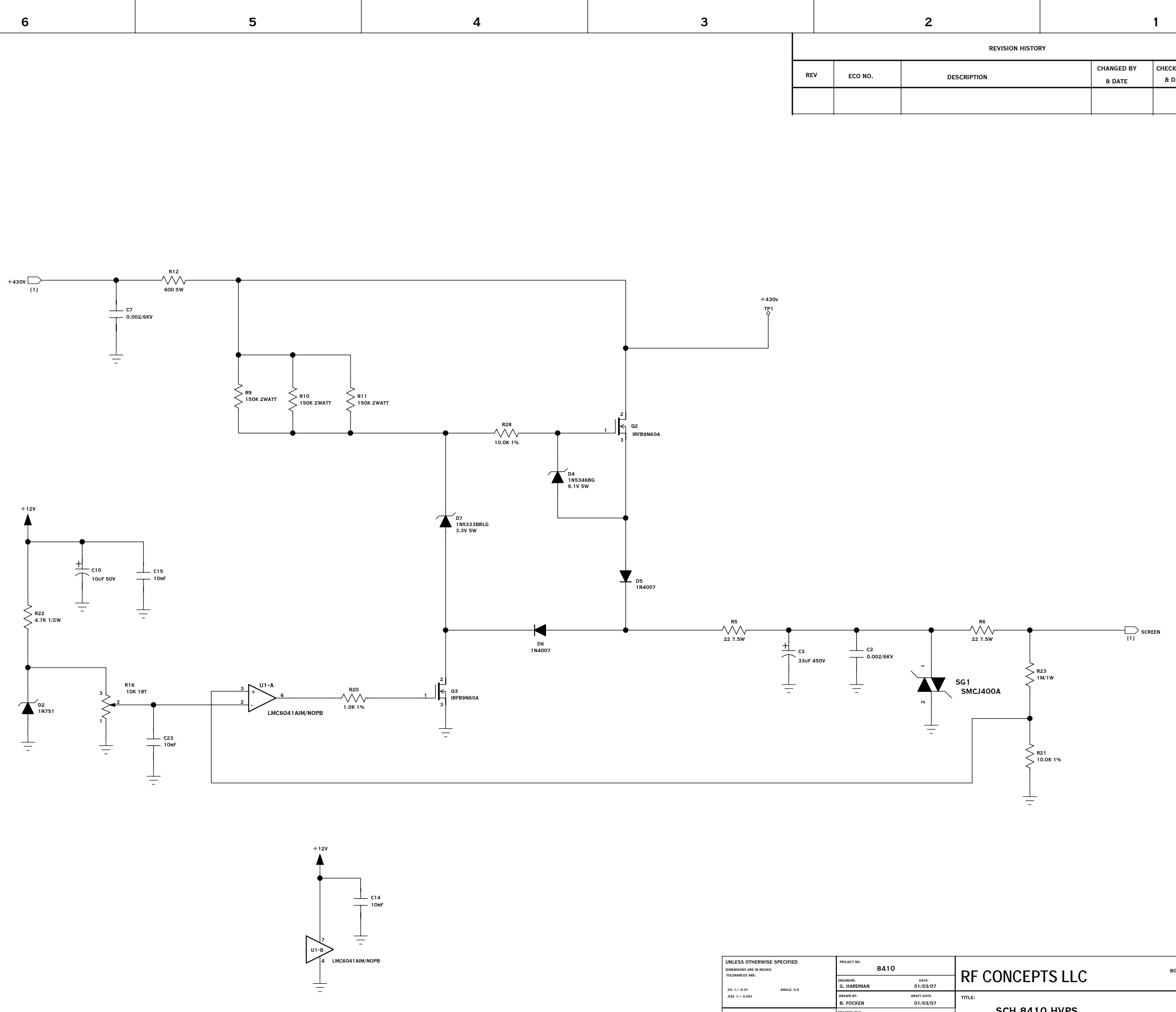
D

A

B

C

D



REVISION HISTORY					
REV	ECO NO.	DESCRIPTION	CHANGED BY & DATE	CHECKED BY & DATE	EFFECTIVITY DATE

UNLESS OTHERWISE SPECIFIED DIMENSIONS ARE IN INCHES TOLERANCES ARE: XX +/- 0.01 ANGLE: 0.5 XXX +/- 0.001	PROJECT NO. <b>8410</b>	<b>RF CONCEPTS LLC</b> 6185 ARAPAHOE RD. BOULDER, COLORADO 80303 PHONE: (303) 473-9232 FAX: (303) 473-9660
	ENGINEER: G. HARDMAN DATE: 01/03/07	
PROPERTY NOTICE: THIS DOCUMENT AND DATA DISCLOSED HEREIN AND HEREWITH IS NOT TO BE REPRODUCED, USED, OR DISCLOSED IN WHOLE OR ANY PART TO ANYONE WITHOUT THE PERMISSION OF RF CONCEPTS LLC.	DRAWN BY: B. FOCKEN DRAFT DATE: 01/03/07	TITLE: <b>SCH,8410,HVPS</b>
COMPONENT TYPE = ELECTRICAL CATEGORY = CUSTOM DESIGNATION = NONE	DRAWING FILE: <b>BCX-X816_REV_2.SCH</b>	SIZE <b>C</b>
	PADS POWERLOGIC DRAWING	DRAWING # <b>BCX-X816</b>
		REV. <b>2</b>
		SCALE
		SHEET 3 OF 3