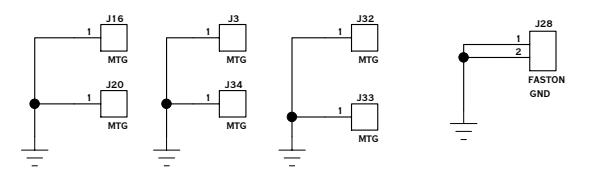
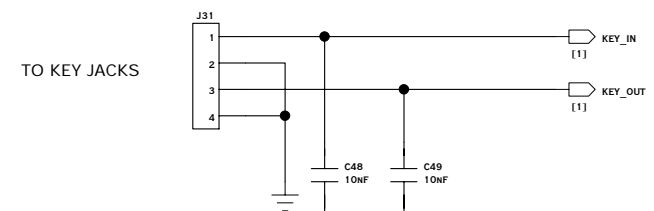
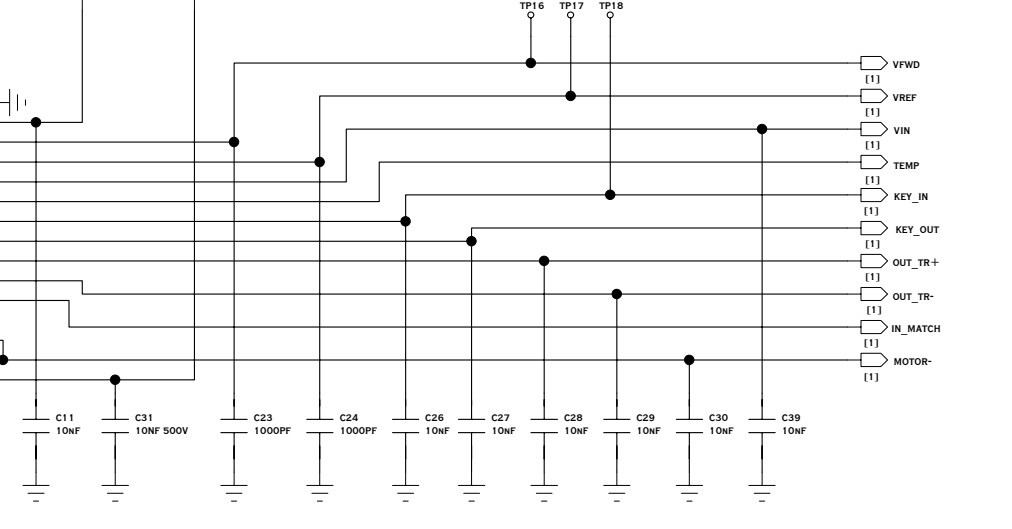
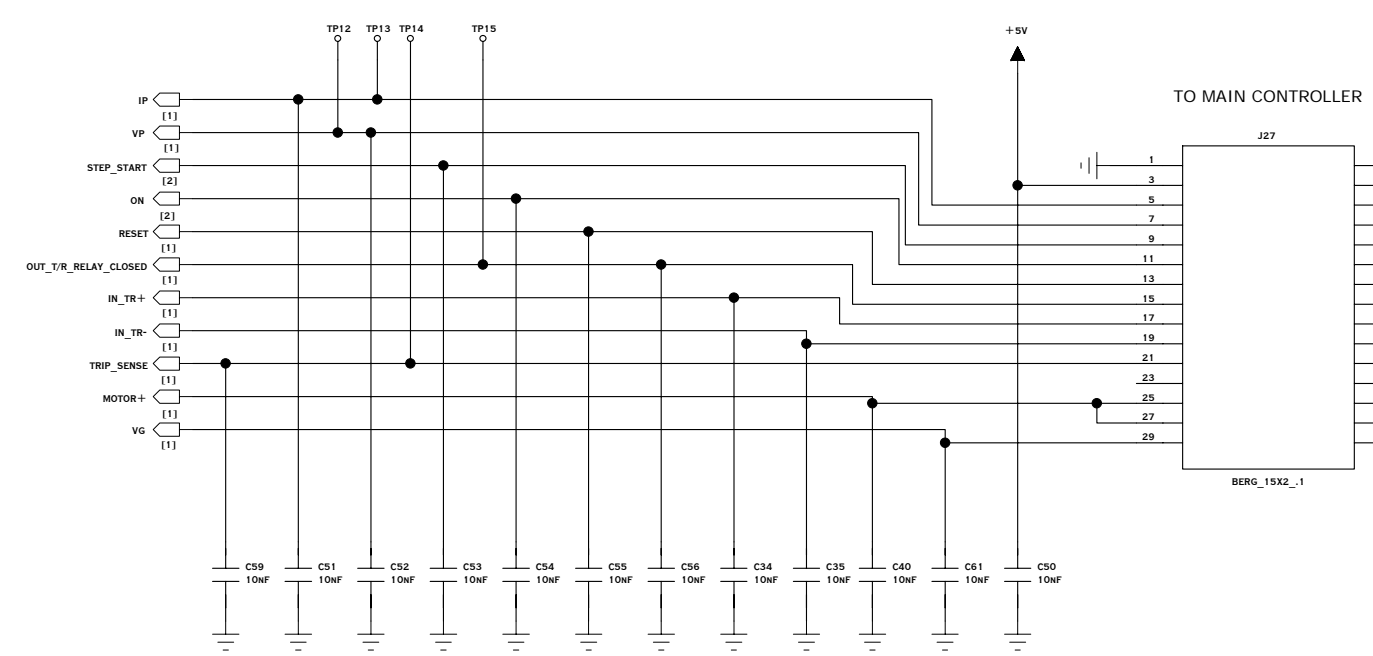
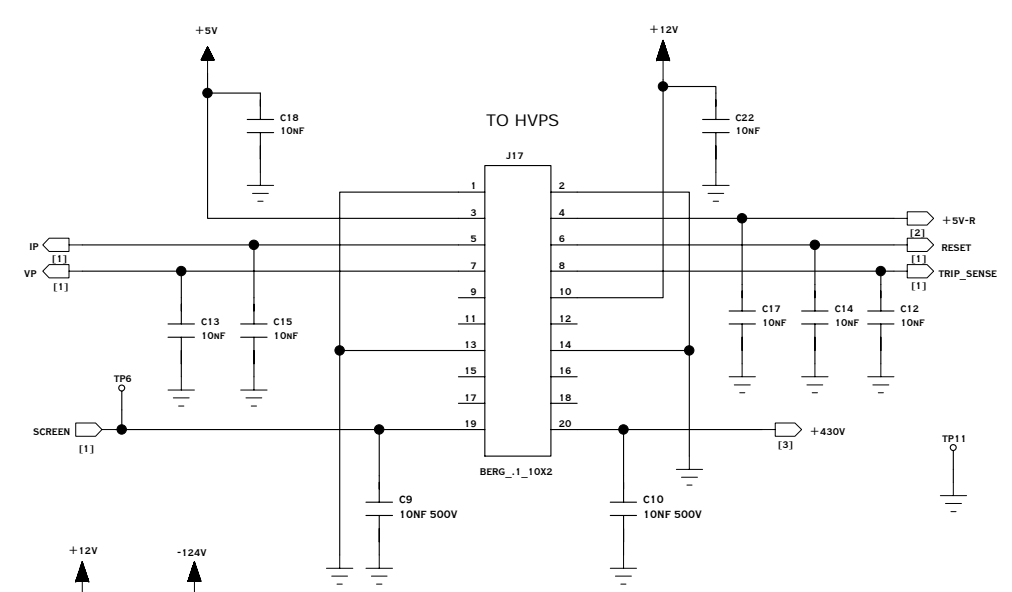
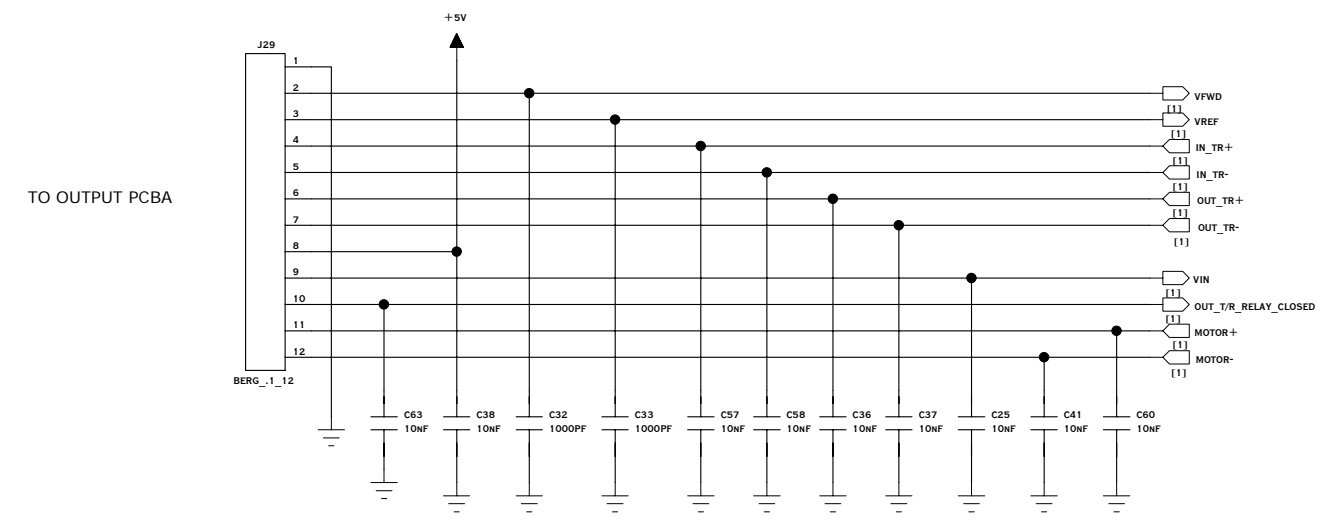


6 5 4 3 2 1

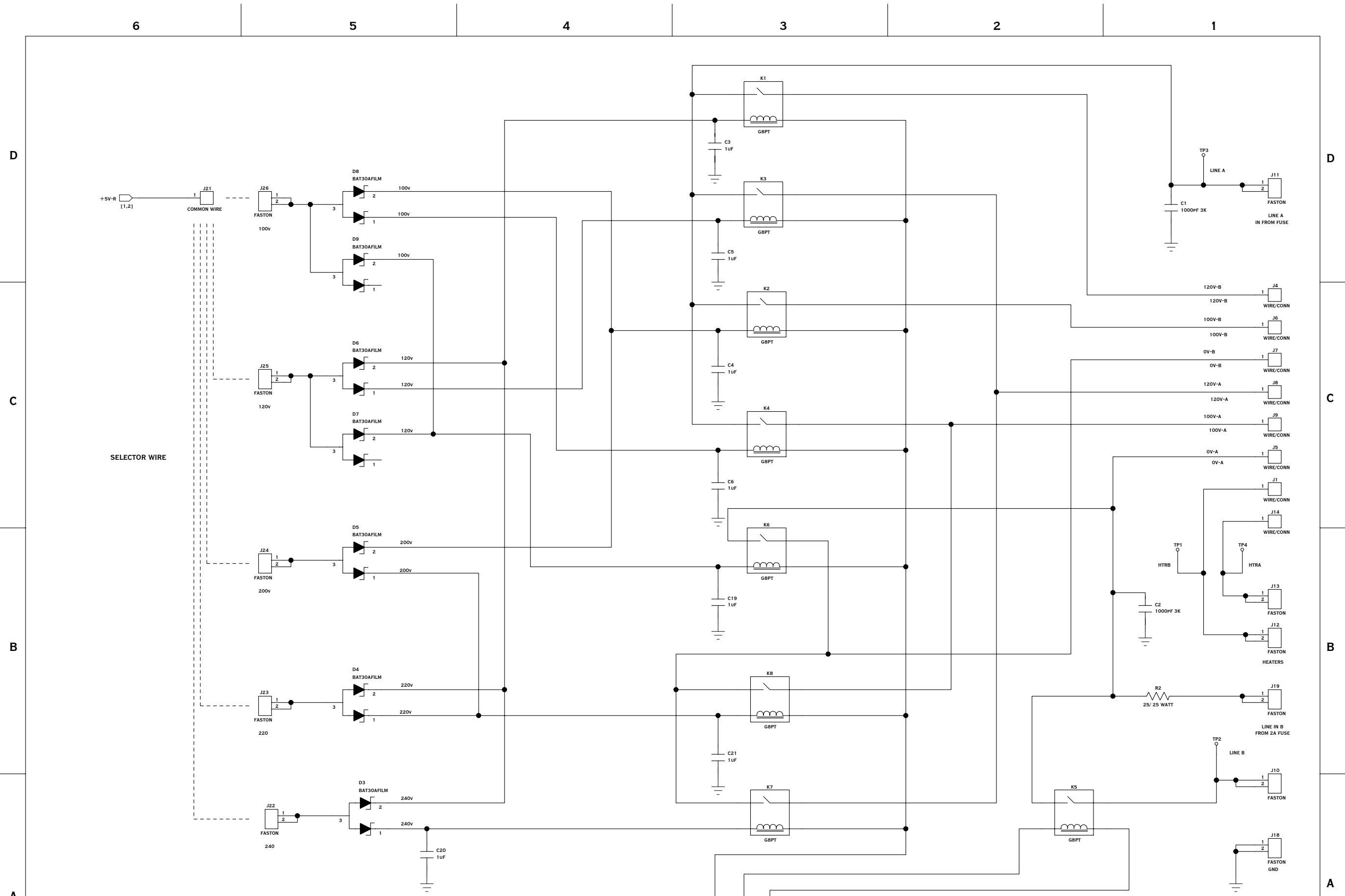
REVISION HISTORY					
REV	ECO NO.	DESCRIPTION	CHANGED BY & DATE	CHECKED BY & DATE	EFFECTIVITY DATE



UNLESS OTHERWISE SPECIFIED DIMENSIONS ARE IN INCHES TOLERANCES ARE: .XX - .001 .XXX - .001 ANGLE: 0.5	PROJECT NO. <b>8410</b>	<b>RF CONCEPTS LLC</b> 6185 ARAPAHOE RD. BOULDER, COLORADO 80303 PHONE: (303) 473-9232 FAX: (303) 473-9660
	DRAWN BY: B. FOCKEN	
PROPRIETARY NOTICE: THIS DOCUMENT AND DATA DISCLOSED HEREIN AND HEREWITH IS NOT TO BE REPRODUCED, USED, OR DISCLOSED IN WHOLE OR ANY PART TO ANYONE WITHOUT THE PERMISSION OF RF CONCEPTS LLC.	DRAWING FILE: BCX-X815_REV_A.SCH	TITLE: <b>SCH,ALPHA 8410,MAINS</b>
	PADS POWERLOGIC DRAWING	SIZE: C DRAWING #: BCX-X815

D  
C  
B  
A

D  
C  
B  
A



SELECTOR WIRE

+5V-R [1,2]

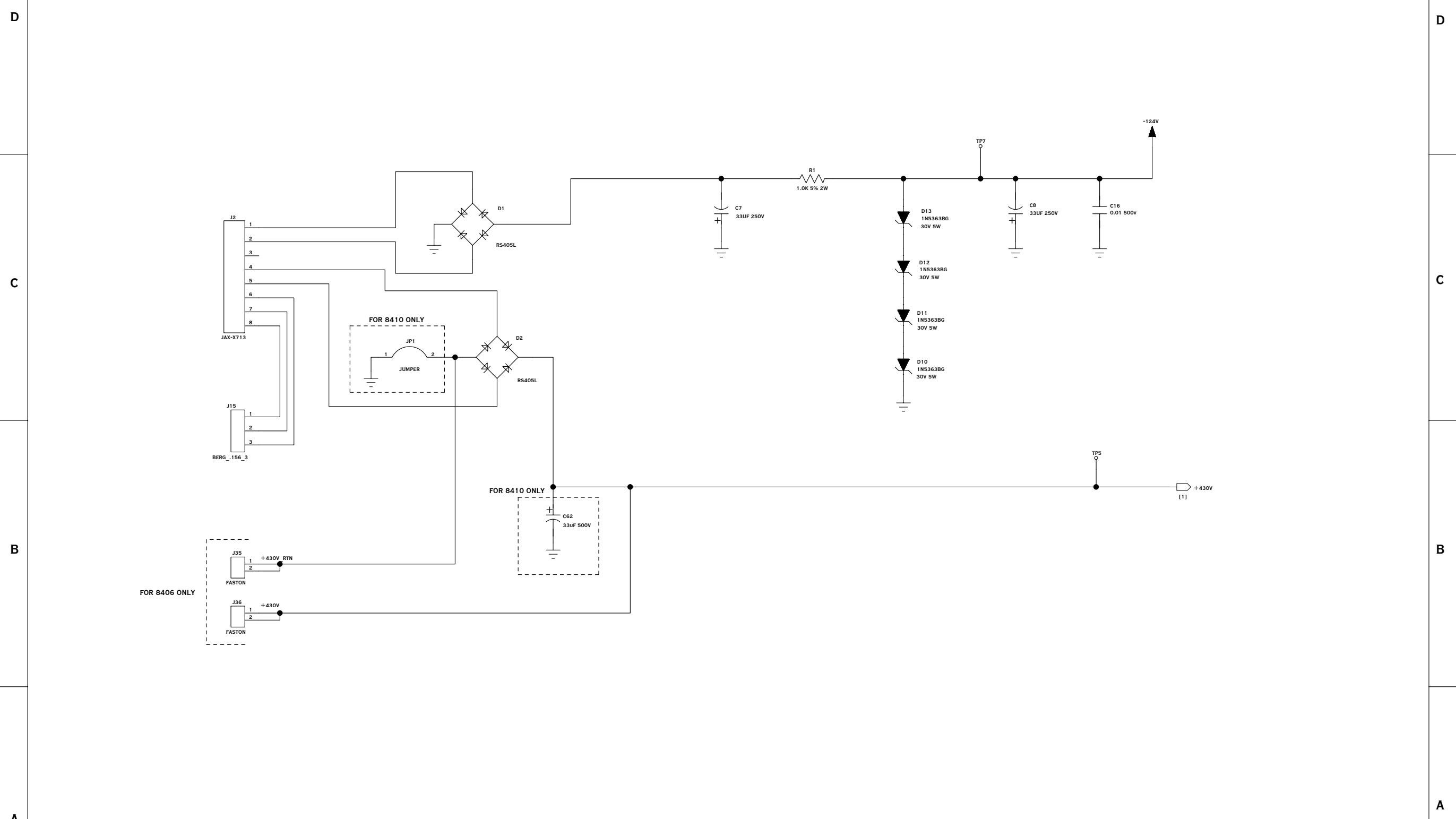
ON [1]

STEP\_START [1]

+5V-R [1,2]

UNLESS OTHERWISE SPECIFIED DIMENSIONS ARE IN INCHES TOLERANCES ARE: .XX +/- 0.01 ANGLE: 0.5 .XXX +/- 0.001	PROJECT NO. 8410	RF CONCEPTS LLC 6185 ARAPAHOE RD. BOULDER, COLORADO 80303 PHONE: 303-473-9232 FAX: 303-473-9660		
	DRAWN BY: B. FOCKEN	DRAFT DATE: 02/04/11	TITLE: SCH,ALPHA 8410,MAINS	
PROPRIETARY NOTICE: THIS DOCUMENT AND DATA DISCLOSED HEREIN AND HEREWITH IS NOT TO BE REPRODUCED, COPIED, OR DISCLOSED IN WHOLE OR ANY PART TO ANYONE WITHOUT THE PERMISSION OF RF CONCEPTS LLC.	DRAWING FILE: BCX-X815_REV_A.SCH	SIZE C	DRAWING # BCX-815	REV. A
PADS POWERLOGIC DRAWING		SCALE		SHEET 2 OF 3

6 5 4 3 2 1



FOR 8406 ONLY

FOR 8410 ONLY

FOR 8410 ONLY

<small>UNLESS OTHERWISE SPECIFIED DIMENSIONS ARE IN INCHES TOLERANCES ARE: XX ±0.01 ANGLE: 0.5 XXX ±0.001</small>	<small>PROJECT NO.</small> 8410	<small>6185 ARAPAHOE RD. BOULDER, COLORADO 80303 PHONE: 303-473-9232 FAX: 303-473-9660</small>		
	<small>DRAWN BY:</small> B. FOCKEN	<small>DRAFT DATE:</small> 02/04/11	<small>TITLE:</small> SCH,ALPHA 8410 MAINS	
<small>PROPRIETARY NOTICE: THIS DOCUMENT AND DATA DISCLOSED HEREIN AND HEREWITH IS NOT TO BE REPRODUCED, USED, OR DISCLOSED IN WHOLE OR ANY PART TO ANYONE WITHOUT THE PERMISSION OF RF CONCEPTS LLC.</small>	<small>DRAWING FILE:</small> BCX-X815_REV_A.SCH	<small>SIZE</small> C	<small>DRAWING #</small> BCX-815	<small>REV.</small> A
	<small>PADS POWERLOGIC DRAWING</small>	<small>SCALE</small>	<small>SHEET 3 OF 3</small>	