

6

5

4

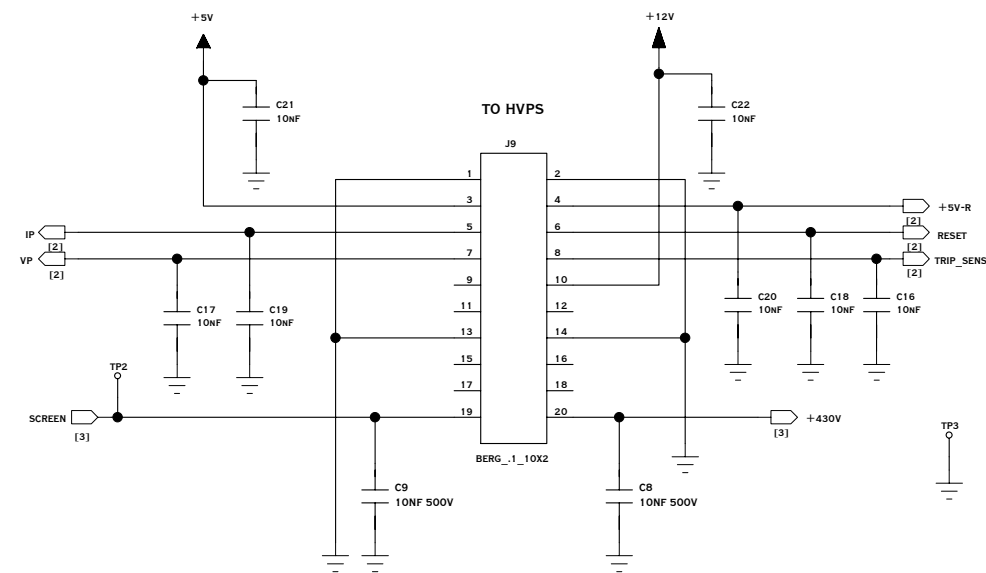
3

2

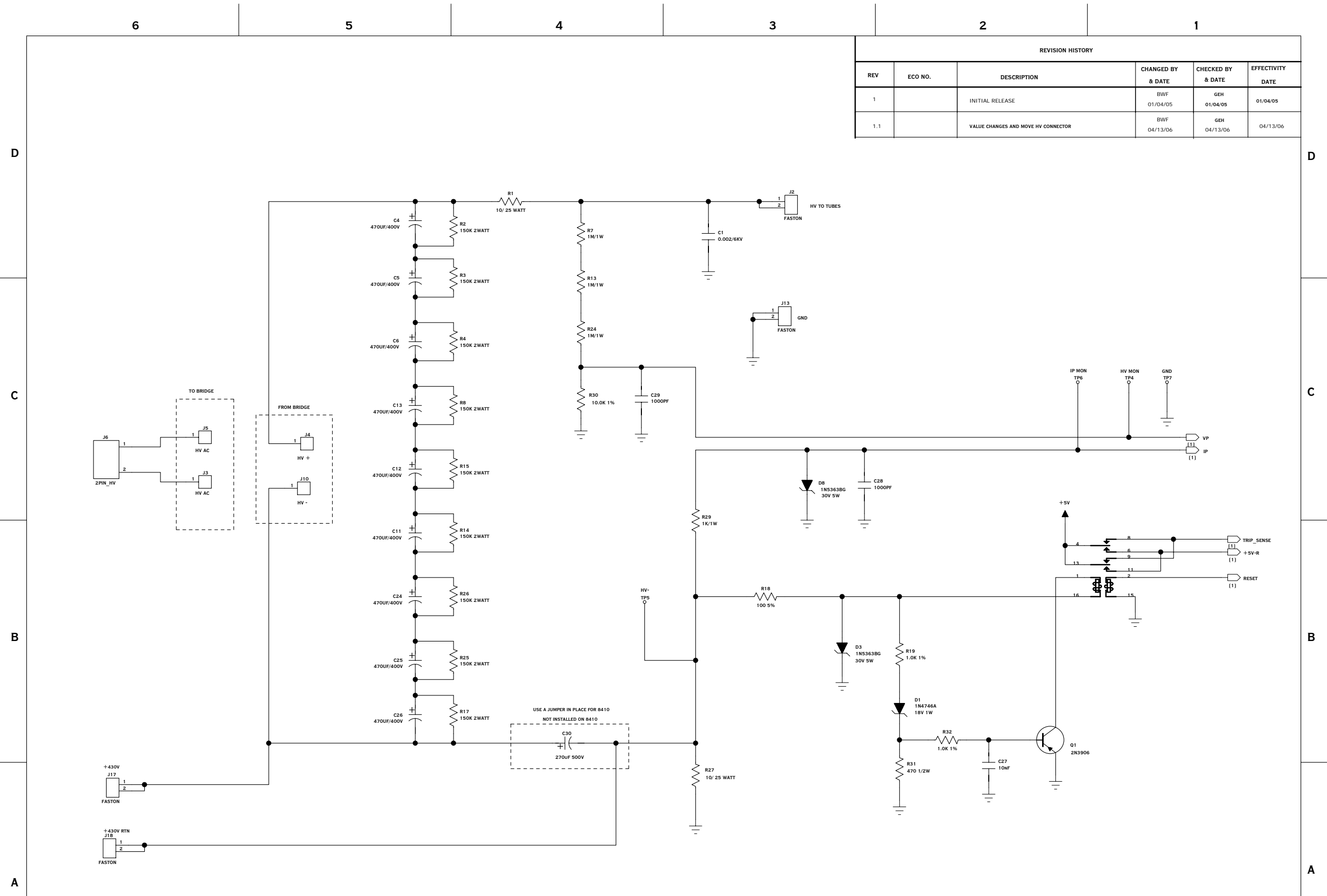
1

REVISION HISTORY

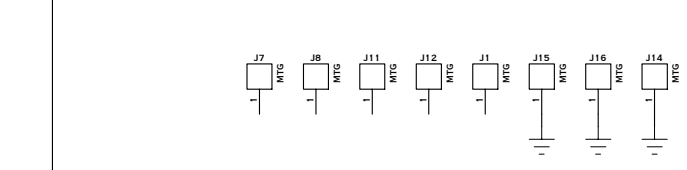
REV	ECO NO.	DESCRIPTION	CHANGED BY & DATE	CHECKED BY & DATE	EFFECTIVITY DATE



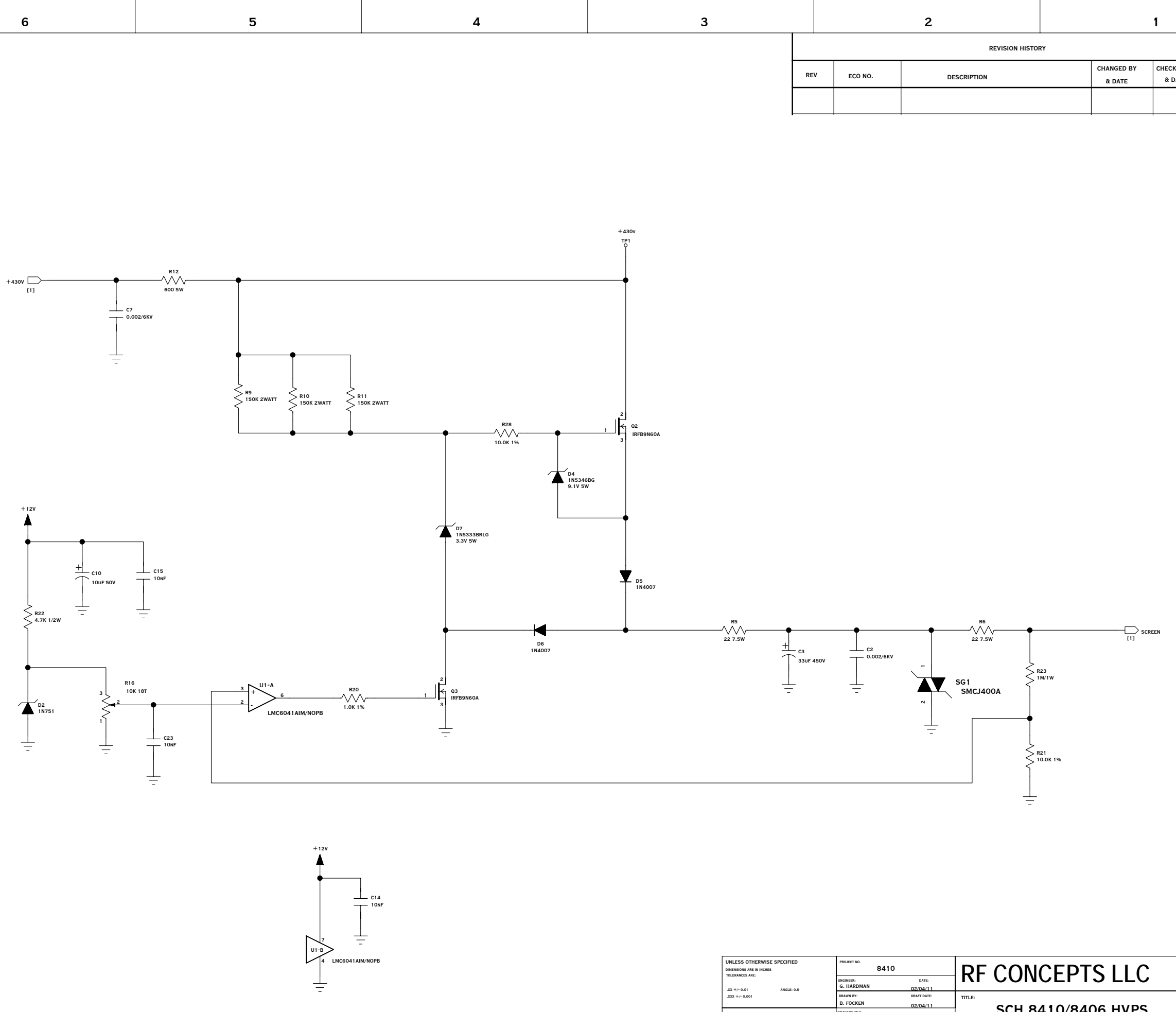
UNLESS OTHERWISE SPECIFIED DIMENSIONS ARE IN INCHES TOLERANCES ARE: XX +/- 0.01 ANGLE: 0.5 XXX +/- 0.001	PROJECT NO. <b>8410/8406</b>	<b>RF CONCEPTS LLC.</b> 634 SOUTH SUNSET LONGMONT, COLORADO 80501 PHONE: (303) 473-9232 FAX: (303) 473-9660
	ENGINEER: G. HARDMAN	
PROPRIETARY NOTICE: THIS DOCUMENT AND DATA DISCLOSED HEREIN AND HEREWITH IS NOT TO BE REPRODUCED, USED, OR DISCLOSED IN WHOLE OR ANY PART TO ANYONE WITHOUT THE PERMISSION OF RF CONCEPTS LLC.	DRAWN BY: B. FOCKEN	TITLE: <b>SCH,8410/8406,HVPS</b>
	DRAFT DATE: 02/04/11	
	DRAWING FILE: <b>BCX-X816_REV_A.SCH</b>	SIZE: <b>C</b>
PADS POWERLOGIC DRAWING	SCALE:	REV. <b>A</b>
SHEET 1 OF 3		



REVISION HISTORY					
REV	ECO NO.	DESCRIPTION	CHANGED BY & DATE	CHECKED BY & DATE	EFFECTIVITY DATE
1		INITIAL RELEASE	BWF 01/04/05	GEH 01/04/05	01/04/05
1.1		VALUE CHANGES AND MOVE HV CONNECTOR	BWF 04/13/06	GEH 04/13/06	04/13/06



UNLESS OTHERWISE SPECIFIED DIMENSIONS ARE IN INCHES TOLERANCES ARE: .XX +/- 0.01 ANGLE: 0.5 .XXX +/- 0.001	PROJECT NO. 8410/8406	<b>RF CONCEPTS LLC</b> 634 SOUTH SUNSET LONGMONT, COLORADO 80501 PHONE: (303) 473-9232 FAX: (303) 473-9660
	ENGINEER: G. HARDMANN DATE: 02/04/11 DRAWN BY: B. FOCKEN DRAFT DATE: 02/04/11 DRAWING FILE: BCX-X816_REV_A.SCH	
PROPRIETARY NOTICE: THIS DOCUMENT AND DATA DISCLOSED HEREIN AND HEREBY IS NOT TO BE REPRODUCED, USED, OR DISCLOSED IN WHOLE OR ANY PART TO ANYONE WITHOUT THE PERMISSION OF RF CONCEPTS LLC.	TITLE: <b>SCH,ALPHA 8410/8406, HVPS</b>	
PADS POWERLOGIC DRAWING	SIZE C	SCALE: BCX-X416
		REV. A
		SHEET 2 OF 3



REVISION HISTORY					
REV	ECO NO.	DESCRIPTION	CHANGED BY & DATE	CHECKED BY & DATE	EFFECTIVITY DATE

UNLESS OTHERWISE SPECIFIED DIMENSIONS ARE IN INCHES TOLERANCES ARE: XX +/- 0.01 ANGLE: 0.5 XXX +/- 0.001	PROJECT NO. <b>8410</b>	<b>RF CONCEPTS LLC</b> 634 SOUTH SUNSET LONGMONT, COLORADO 80501 PHONE: (303) 473-9232 FAX: (303) 473-9660		
	ENGINEER: G. HARDMAN DATE: 02/04/11			
PROPRIETARY NOTICE: THIS DOCUMENT AND DATA DISCLOSED HEREIN AND HEREWITH IS NOT TO BE REPRODUCED, USED, OR DISCLOSED IN WHOLE OR ANY PART TO ANYONE WITHOUT THE PERMISSION OF RF CONCEPTS LLC.	DRAWN BY: B. FOCKEN DATE: 02/04/11	TITLE: <b>SCH,8410/8406,HVPS</b>		
	DRAWING FILE: <b>BCX-X816_REV_A.SCH</b>	SIZE <b>C</b>	DRAWING # <b>BCX-X816</b>	REV. <b>A</b>
	PADS POWERLOGIC DRAWING	SCALE	SHEET 3 OF 3	

D  
C  
B  
A

D  
C  
B  
A