

6

5

4

3

2

1

D

D

C

C

B

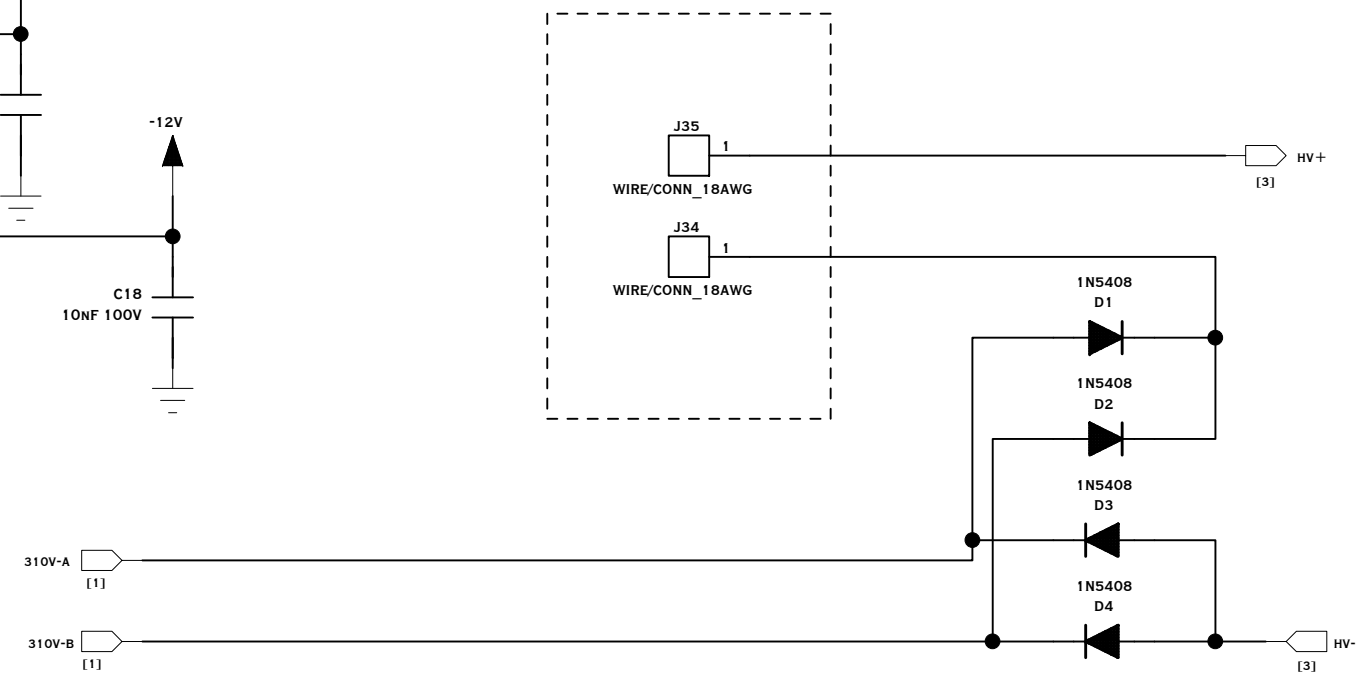
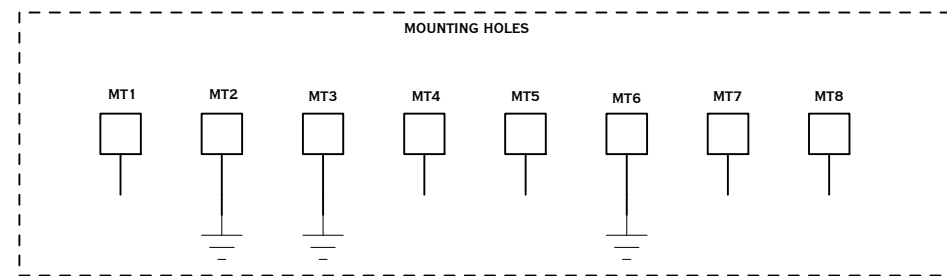
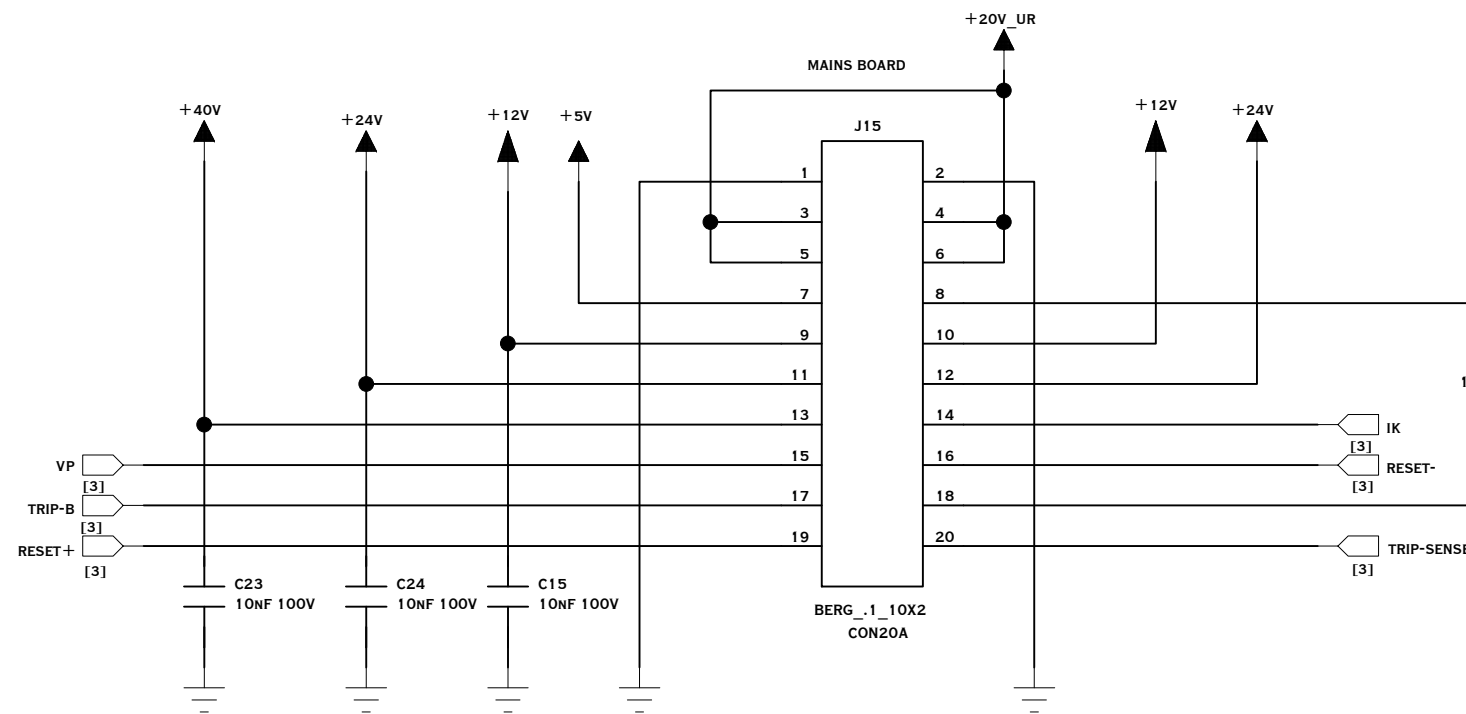
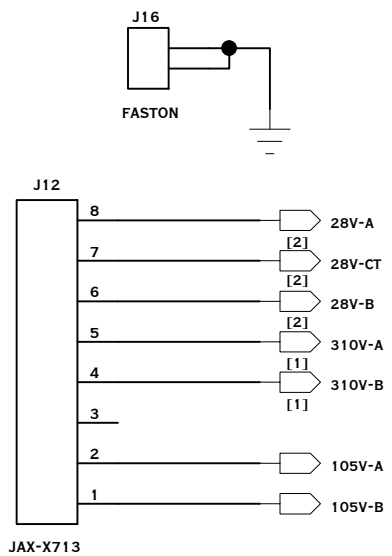
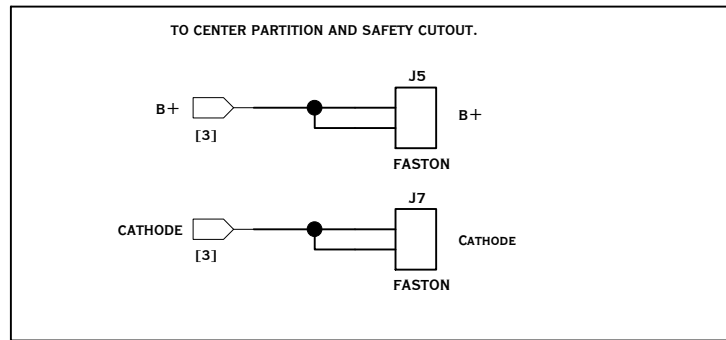
B

A

A

REVISION HISTORY

REV	ECO NO.	DESCRIPTION	CHANGED BY & DATE	CHECKED BY & DATE	EFFECTIVITY DATE
1		DEVELOPMENT	BWF 09/01/05	GEH 09/01/05	09/01/05
2		INITIAL RELEASE	BWF 07/15/06	GEH 07/15/06	07/15/06
3		ADD POWER SUPPLY	BWF 07/28/06	GEH 07/28/06	07/28/06
3.1		CHANGES TO VALUES AND POLARITY	BWF 10/17/06	GEH 10/17/06	10/17/06



PROPRIETARY NOTICE:
THIS DOCUMENT AND DATA DISCLOSED
HEREIN AND HEREWITH IS NOT
TO BE REPRODUCED, USED,
OR DISCLOSED IN WHOLE OR
ANY PART TO ANYONE WITHOUT
THE PERMISSION OF RF CONCEPTS LLC.

PROJECT NO. 9500	RF CONCEPTS LLC		634 SOUTH SUNSET LONGMONT, COLORADO 80501 PHONE: (303) 473-9232 FAX: (303) 473-9660	
ENGINEER: G. HARDMANN			DATE: 08/08/13	
DRAWN BY: B. FOCKEN	DRAFT DATE: 08/08/13	TITLE: SCH,9500,HIGH VOLTAGE POWER SUPPLY		
DRAWING FILE: BCX-X419_REV_C.SCH	SIZE B	DRAWING # BCX-X419	REV. C	
PADS POWERLOGIC DRAWING	SCALE			SHEET 1 OF 3

6

5

4

3

2

1

D

D

C

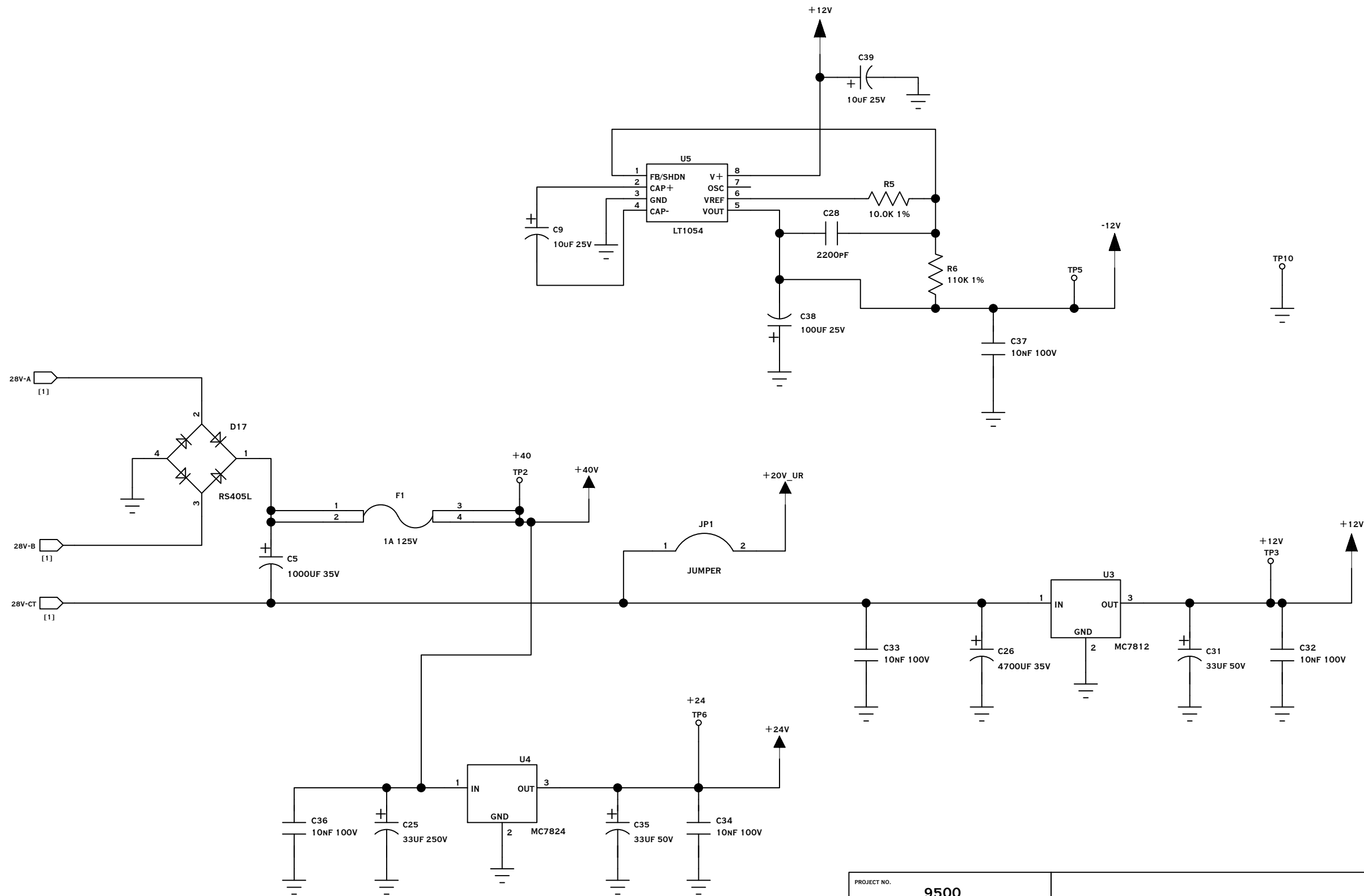
C

B

B

A

A



PROJECT NO. 9500		RF CONCEPTS LLC 634 SOUTH SUNSET LONGMONT, COLORADO 80501 PHONE: (303) 473-9232 FAX: (303) 473-9660		
ENGINEER: G. HARDMANN	DATE: 08/08/13			
DRAWN BY: B. FOCKEN	DRAFT DATE: 08/08/13	TITLE: SCH,9500,HIGH VOLTAGE POWER SUPPLY		
DRAWING FILE: BCX-X418_REV_C.SCH		SIZE B	DRAWING # BCX-X419	REV. C
PADS POWERLOGIC DRAWING		SCALE		SHEET 2 OF 3

