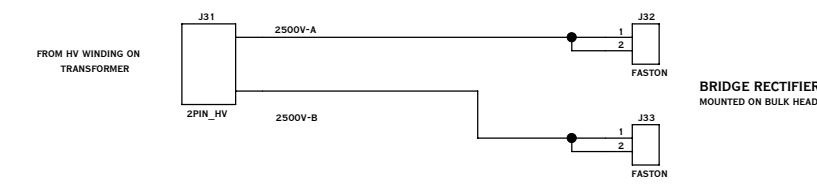
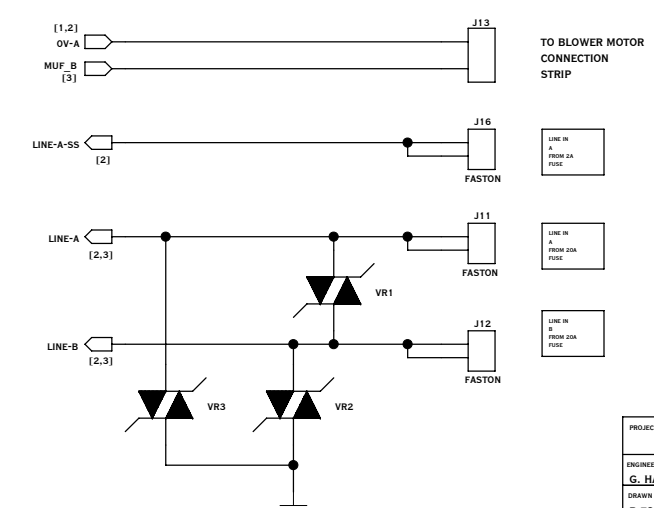
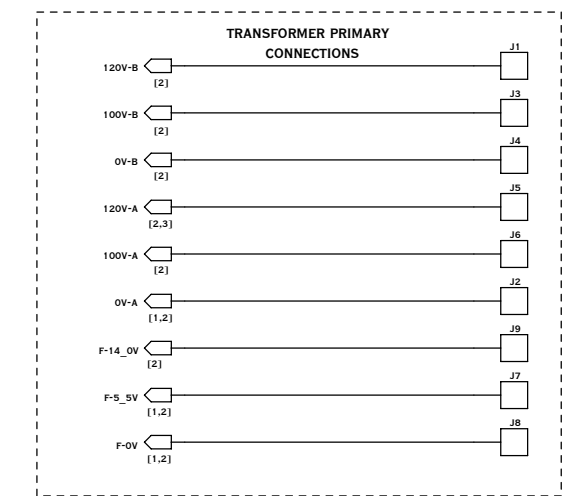
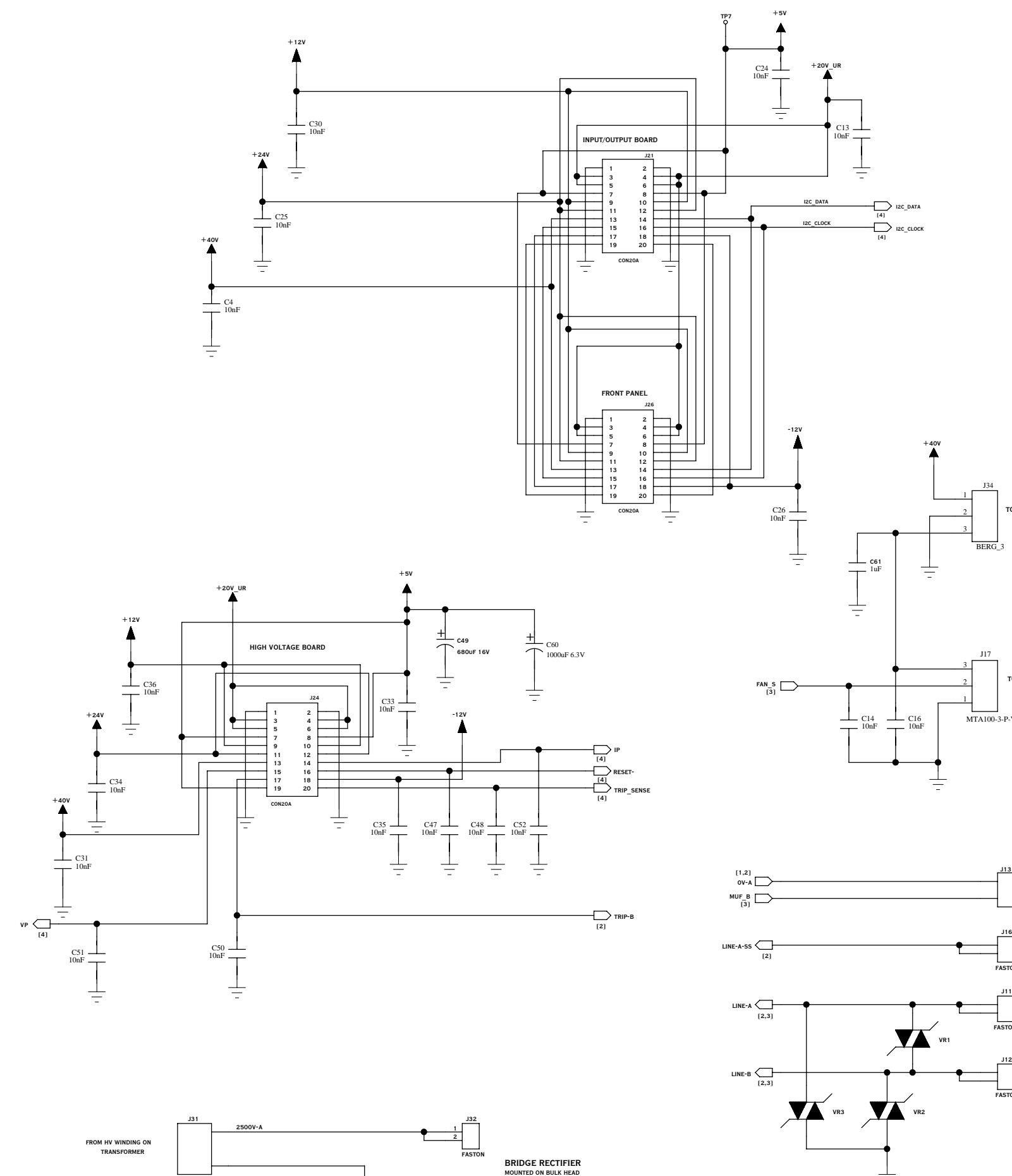


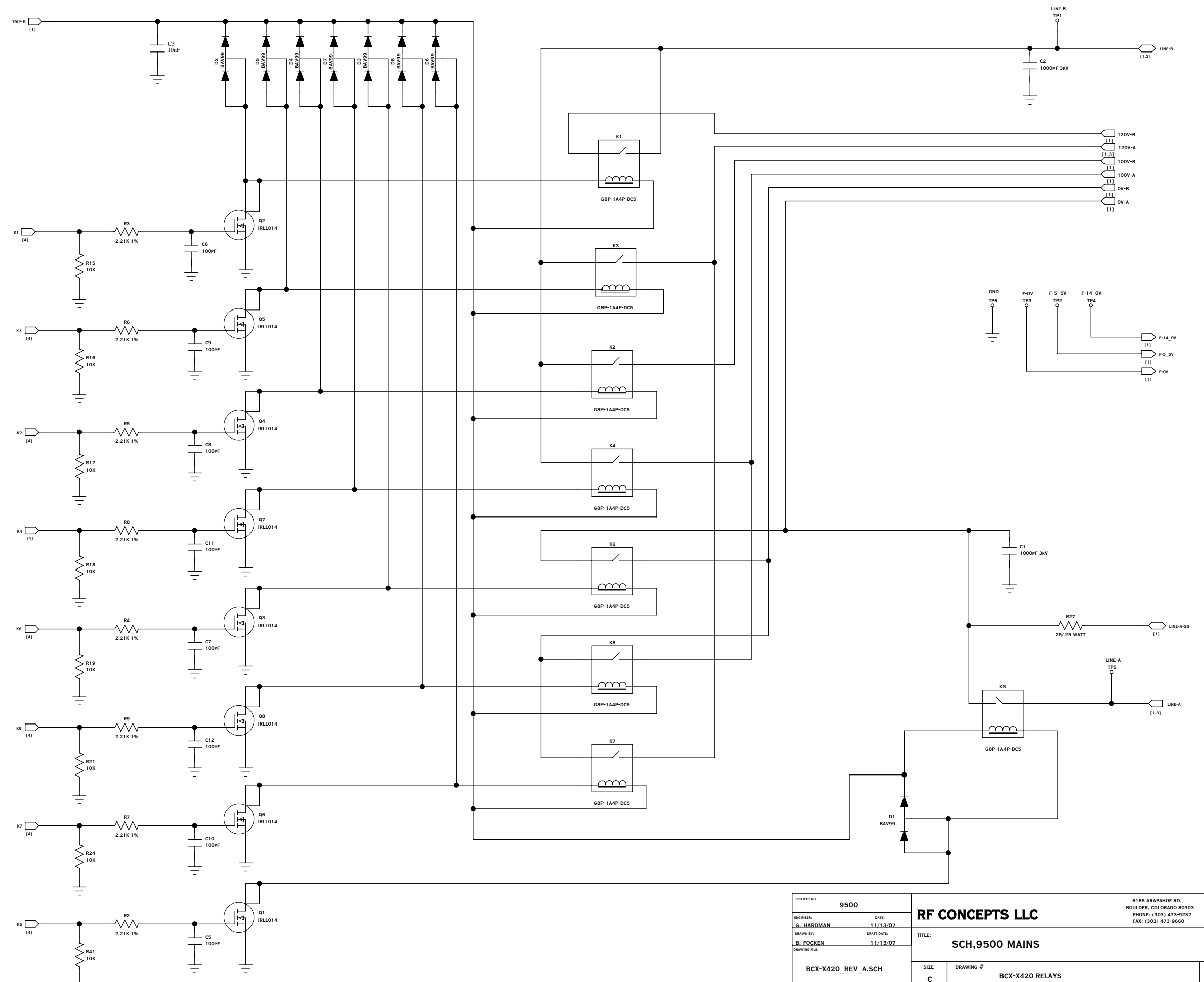
REVISION HISTORY					
REV	ECO NO.	DESCRIPTION	CHANGED BY & DATE	CHECKED BY & DATE	EFFECTIVITY DATE
1		INITIAL RELEASE	BWF 09/07/05	BWF 09/07/05	09/07/05
2		CHANGE TO PROCESSOR PIN OUT	BWF 12/21/05	BWF 12/21/05	12/21/05
2.1		CHANGED RELAYS	BWF 12/29/05	GEH 12/29/05	12/29/05
2.2/3		CHANGE PARTS	BWF 04/11/06	GEH 04/11/06	04/11/06
4		CHANGE AC SENSE CIRCUIT	BWF 07/24/06	GEH 07/24/06	07/24/06
5		ADD POWER SUPPLY	BWF 07/31/06	GEH 07/31/06	07/31/06
A		RELEASE TO MFG	BWF 11/13/07	GEH 11/13/07	11/13/07
B		REVISED TO ADD DC BLOWER CIRCUIT	CLE 2/22/12	XXX XX/XX/XX	XX/XX/XX



PROJECT NO. 9500	DATE 11/13/07	RF CONCEPTS LLC		6185 ARAPAHOE RD. BOULDER, COLORADO 80303 PHONE: (303) 473-9232 FAX: (303) 473-9660
ENGINEER: G. HARDMAN	DRAWN BY: B. FOCKEN	TITLE: SCH.9500 MAINS		
DRAWING FILE: BCX-X420_REV_A.SCH		SIZE C	DRAWING # BCX-X420 CONNECTORS	REV. B
PROPRIETARY NOTICE: THIS DOCUMENT AND DATA DISCLOSED HEREIN AND HEREAFTER IS NOT TO BE REPRODUCED, USED, OR DISCLOSED IN WHOLE OR IN PART TO ANYONE WITHOUT THE PERMISSION OF RF CONCEPTS LLC.		SCALE		SHEET 1 OF 4

6 5 4 3 2 1

D
C
B
A



PROJECT NO. 9500		6185 ARAPAHOE RD. BOULDER, COLORADO 80303	
ENGINEER: G. HARDMAN	DATE: 11/13/07	PHONE: (303) 473-9232	
DRAWN BY: R. FOCKEN	DRAFT DATE: 11/13/07	FAX: (303) 473-9660	
DRAWING FILE: BCX-X420_REV_A.SCH		TITLE: SCH,9500 MAINS	
SIZE C	DRAWING # BCX-X420 RELAYS	REV. B	
PADS POWERLOGIC DRAWING		SCALE	SHEET 2 OF 4

6

5

4

3

2

1

D

D

C

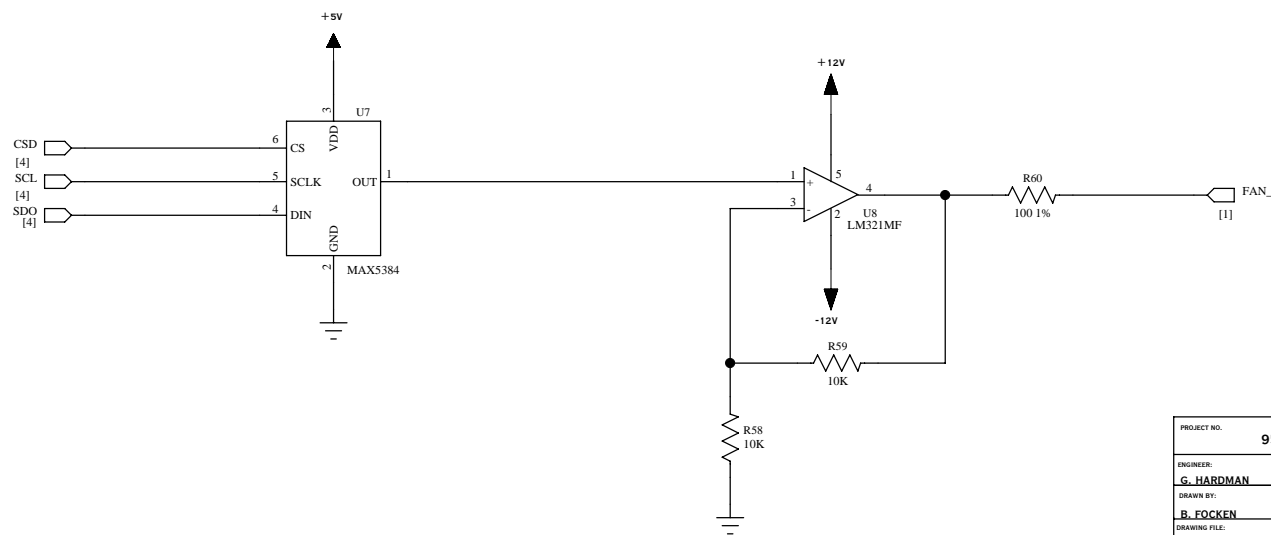
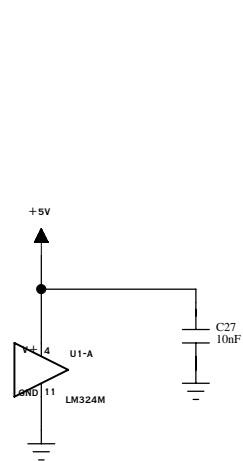
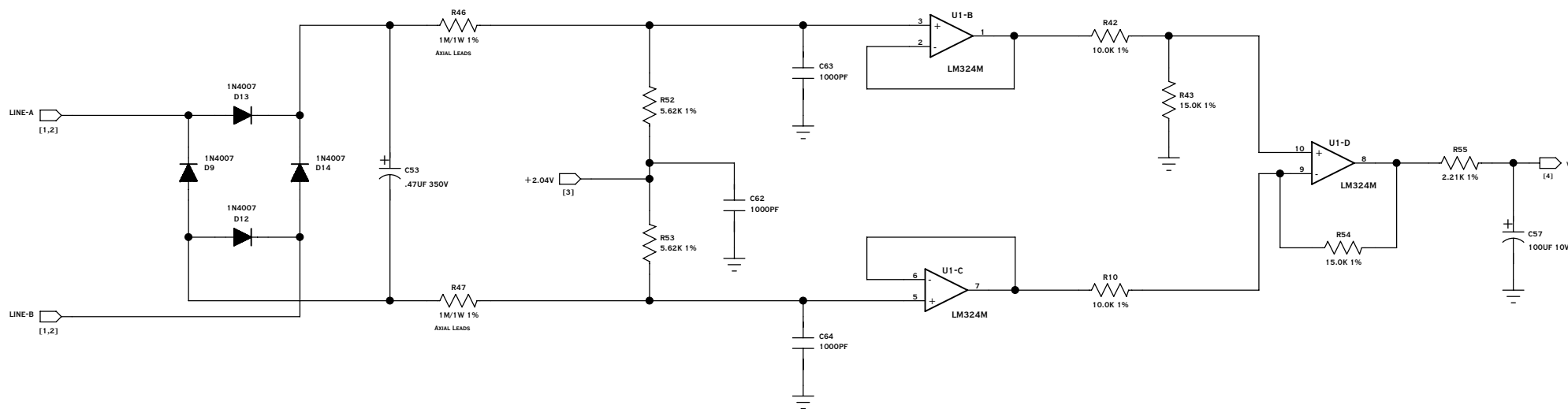
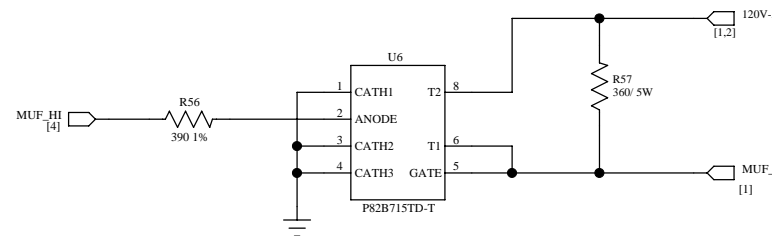
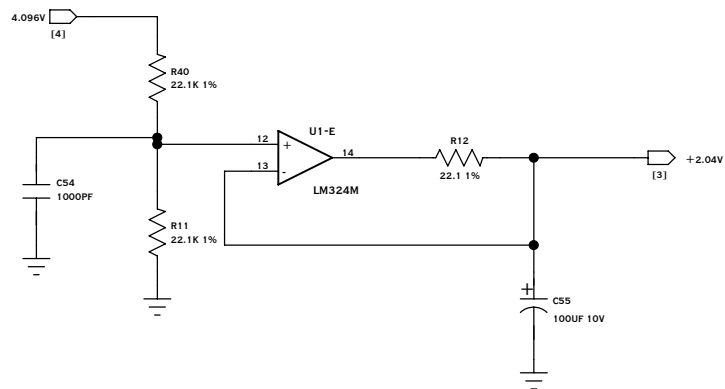
C

B

B

A

A

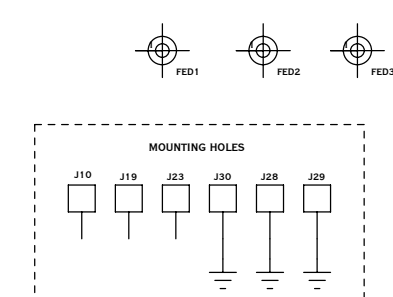
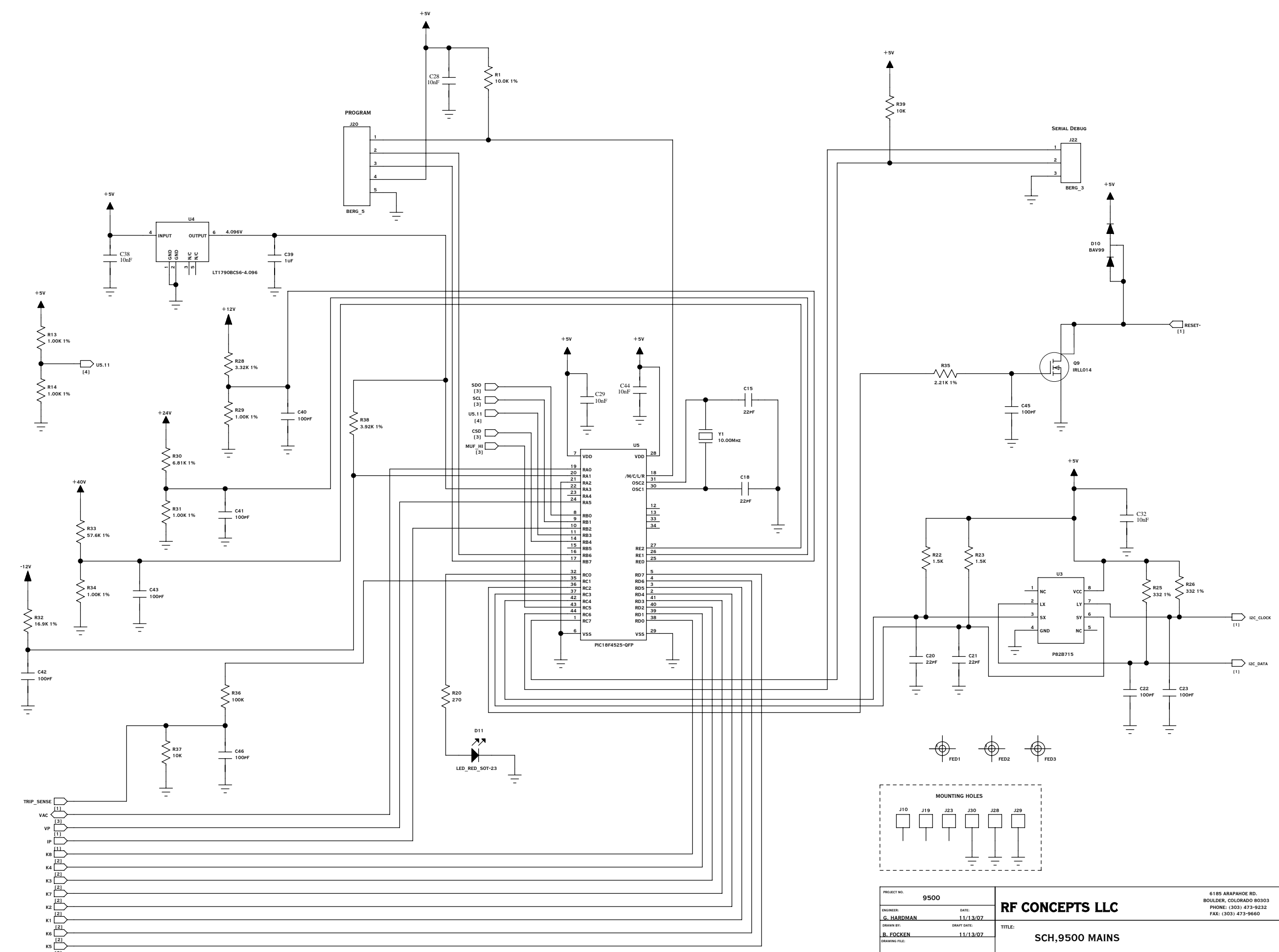


PROJECT NO. 9500		6185 ARAPAHOE RD. BOULDER, COLORADO 80303 PHONE: (303) 473-9232 FAX: (303) 473-9660	
ENGINEER: G. HARDMAN	DATE: 11/13/07	RF CONCEPTS LLC	
DRAWN BY: R. FOCKEN	DRAFT DATE: 11/13/07		
DRAWING FILE: BCX-X420_REV_A.SCH		TITLE: SCH,9500 MAINS	
SIZE C	DRAWING # BCX-X420 MAINS SENSOR	REV. B	
PADS POWERLOGIC DRAWING		SCALE	SHEET 3 OF 4

6 5 4 3 2 1

D
C
B
A

D
C
B
A



PROJECT NO. 9500	DATE 11/13/07	RF CONCEPTS LLC		6185 ARAPAHOE RD. BOULDER, COLORADO 80303 PHONE: (303) 473-9232 FAX: (303) 473-9660
ENGINEER G. HARDMAN	DRAWN BY R. FOCKEN	TITLE SCH,9500 MAINS		
DRAWING FILE: BCX-X420_REV_A.SCH		SIZE C	DRAWING # BCX-X420 PROCESSOR	REV. B
PADS POWERLOGIC DRAWING			SCALE	SHEET 4 OF 4