

6

5

4

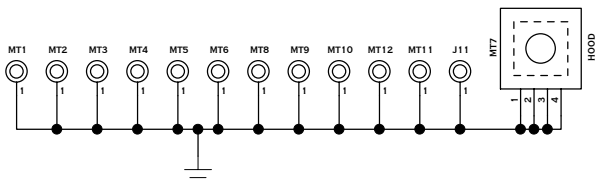
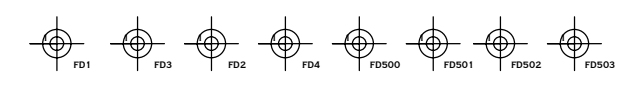
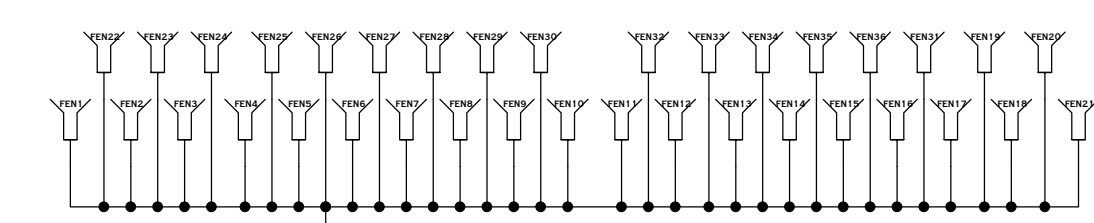
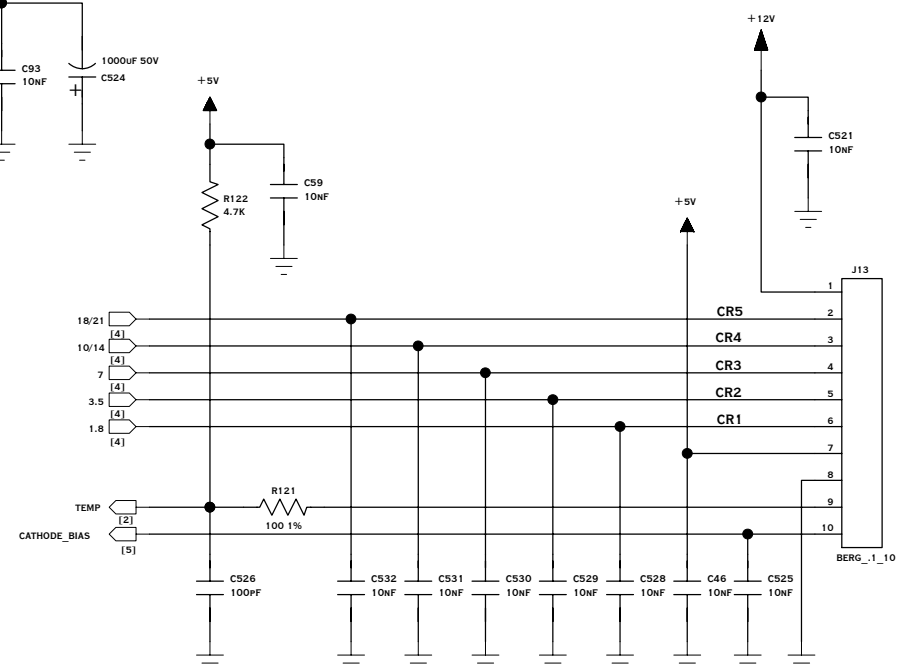
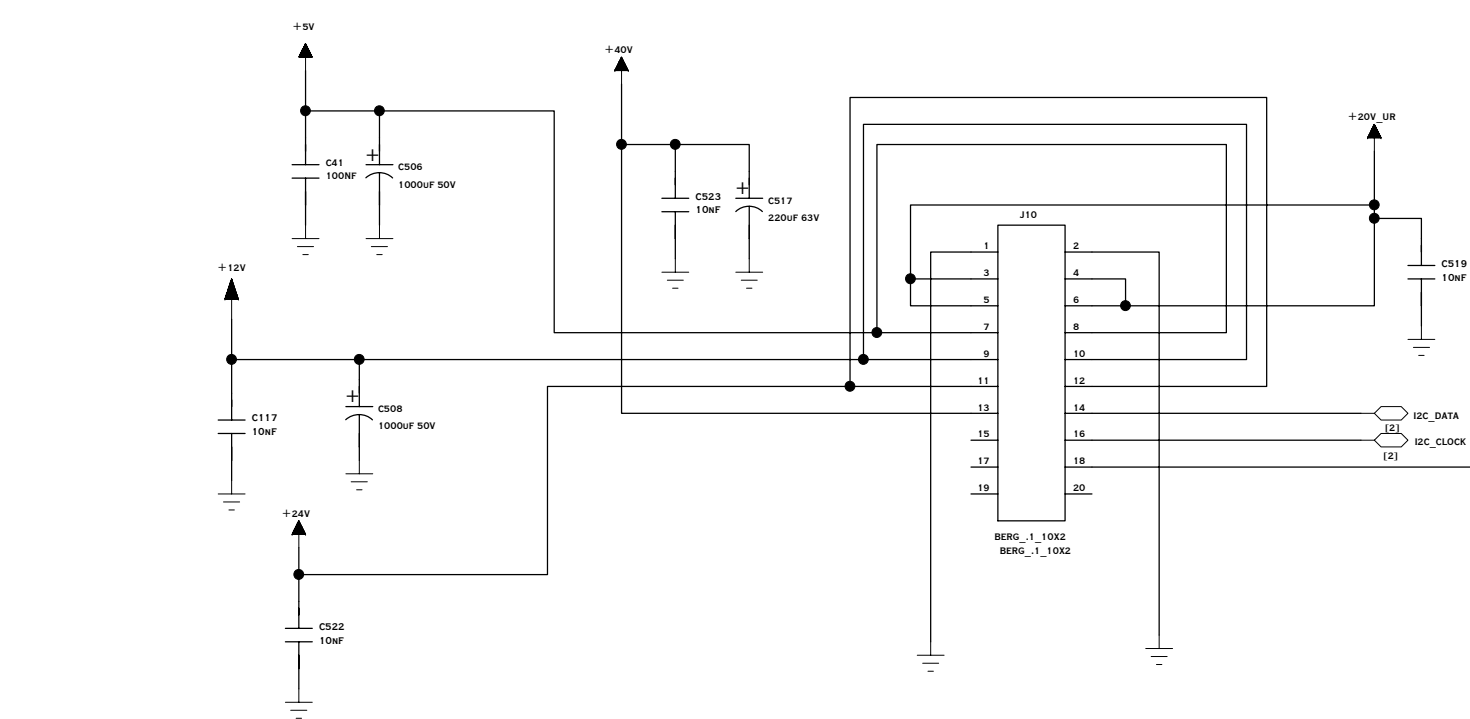
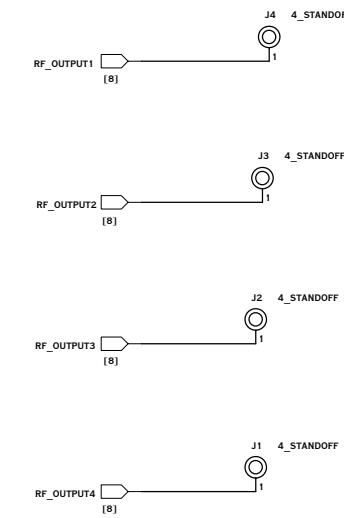
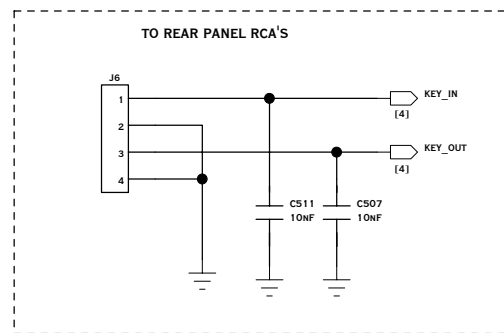
3

2

1

REVISION HISTORY

REV	ECO NO.	DESCRIPTION	CHANGED BY & DATE	CHECKED BY & DATE	EFFECTIVITY DATE
1		INITIAL RELEASE	BWF 11/09/06	GEH 11/09/06	11/09/06
2		CHANGES TO WATT METERS	BWF 12/08/06	GEH 12/08/06	12/08/06
3		CHANGES TO WATT METERS AND PROCESSOR	BWF 01/03/07	GEH 01/03/07	01/03/07



D

C

B

A

D

C

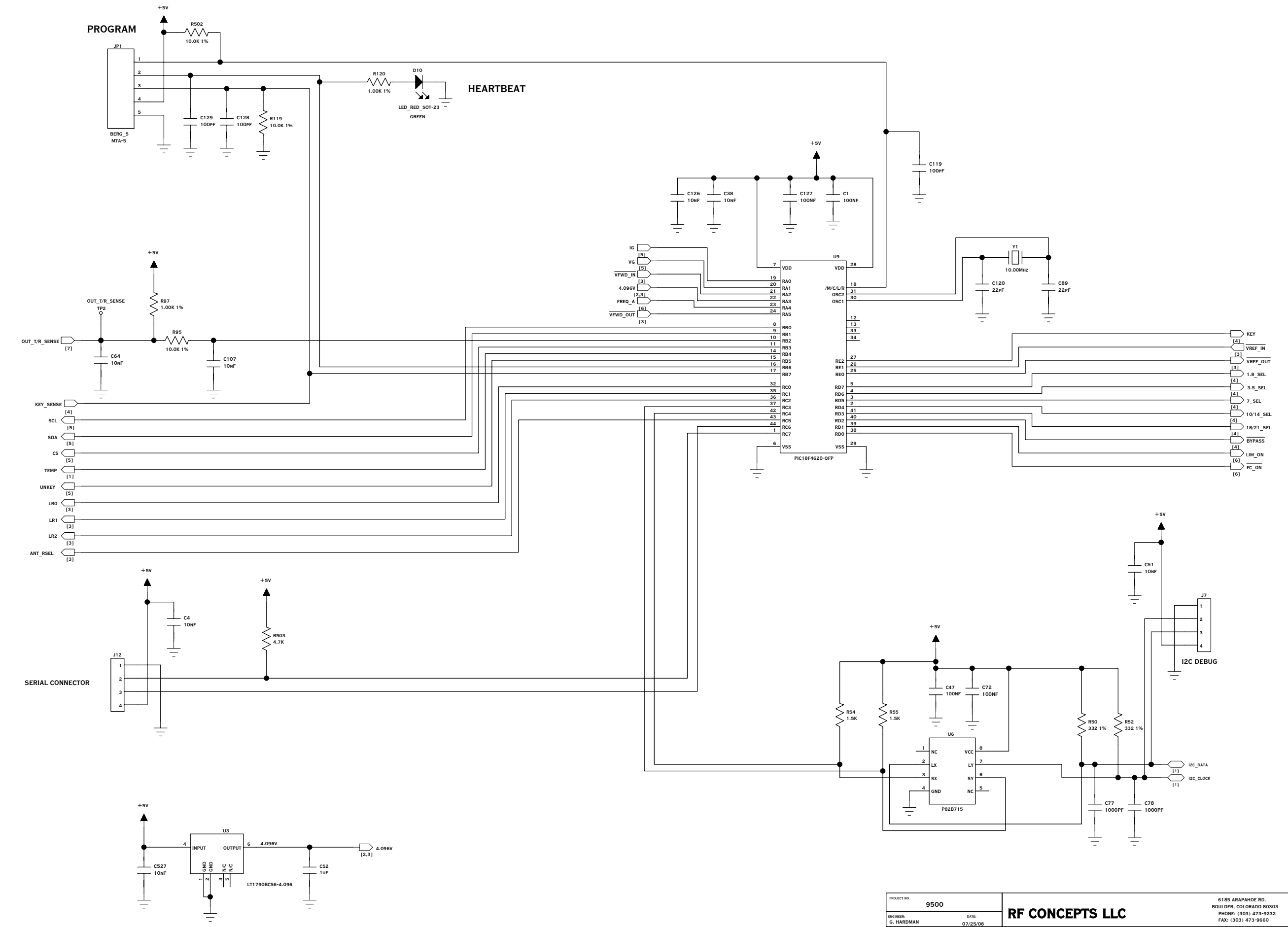
B

A

PROPRIETARY NOTICE:  
THIS DOCUMENT AND DATA DISCLOSED HEREIN AND HEREWITH IS NOT TO BE REPRODUCED, USED, OR DISCLOSED IN WHOLE OR IN PART TO ANYONE WITHOUT THE PERMISSION OF RF CONCEPTS LLC.

PROJECT NO. <b>9500</b>	DATE <b>07/25/08</b>
ENGINEER <b>G. HARDMAN</b>	DRAFT DATE <b>07/25/08</b>
DRAWN BY <b>R. FOCKEN</b>	DRAFT DATE <b>07/25/08</b>
DRAWING FILE: <b>BCX-X421_REV_A.SCH</b>	
TITLE: <b>CONNECTORS</b>	
SIZE <b>C</b>	DRAWING # <b>BCX-X421</b>
SCALE	

<b>RF CONCEPTS LLC</b>		6185 ARAPAHOE RD. BOULDER, COLORADO 80303 PHONE: (303) 473-9232 FAX: (303) 473-9660
TITLE: <b>SCH,OUTPUT/CONTROLLER,9500</b>		
REV. <b>B</b>	SHEET 1 OF 8	



PROJECT NO. <b>9500</b>	DATE 07/25/08	<b>RF CONCEPTS LLC</b>		6185 ARAPAHOE RD. BOULDER, COLORADO 80303 PHONE: (303) 473-9232 FAX: (303) 473-9660
ENGINEER G. HARDMAN	DRAFT DATE 07/25/08	TITLE: <b>SCH,OUTPUT/CONTROLLER,9500</b>		
DRAWN BY B. FOCKEN	DRAFT DATE 07/25/08	SIZE <b>C</b>	DRAWING # <b>BCX-X421</b>	REV. <b>B</b>
DRAWING FILE: <b>BCX-X421_REV_A.SCH CONTROLLER</b>		SCALE		SHEET 2 OF 8

D

D

C

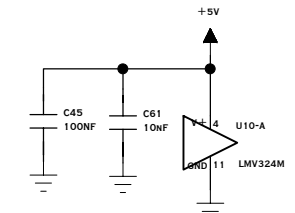
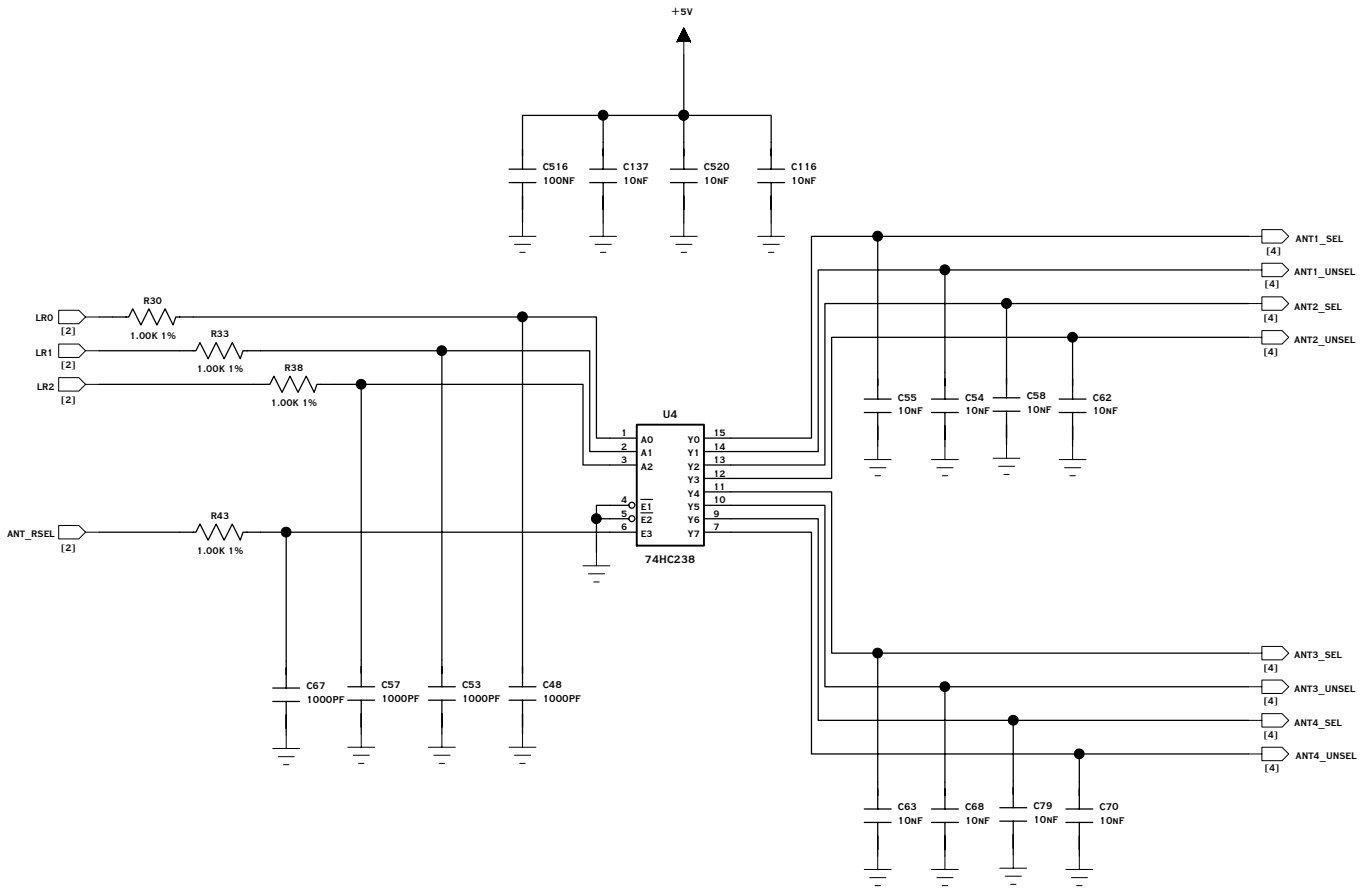
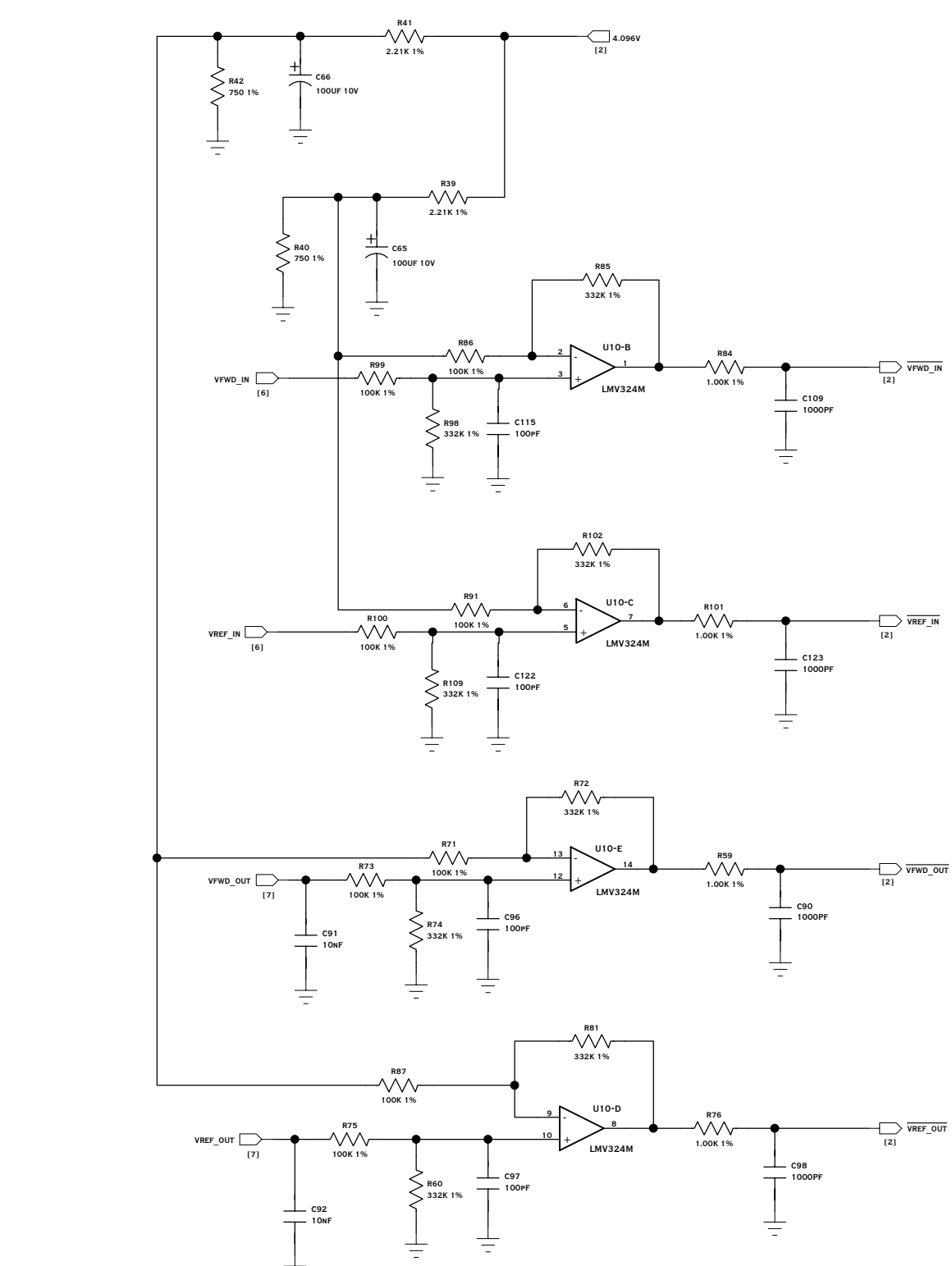
C

B

B

A

A



PROJECT NO. <b>9500</b>		6185 ARAPAHOE RD. BOULDER, COLORADO 80303 PHONE: (303) 473-9232 FAX: (303) 473-9660	
ENGINEER: G. HARDMAN	DATE: 07/25/08	<b>RF CONCEPTS LLC</b>	
DRAWN BY: B. FOCKEN	DRAFT DATE: 07/25/08	TITLE: <b>SCH,OUTPUT/CONTROLLER,9500</b>	
DRAWING FILE: <b>BCX-X421_REV_A.SCH</b>		SIZE <b>C</b>	REV. <b>B</b>
PARTS POWERLOGIC DRAWING		DRAWING # <b>BCX-X421</b>	
SCALE		SHEET 3 OF 8	

6

5

4

3

2

1

D

C

B

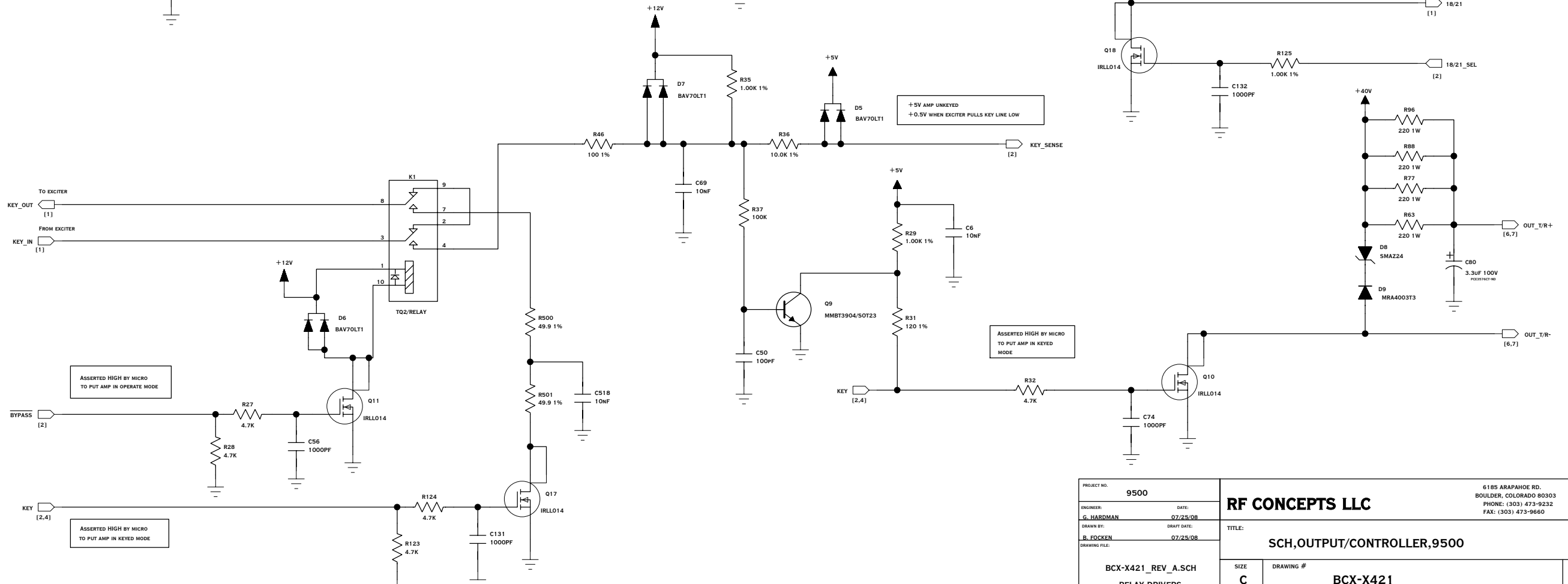
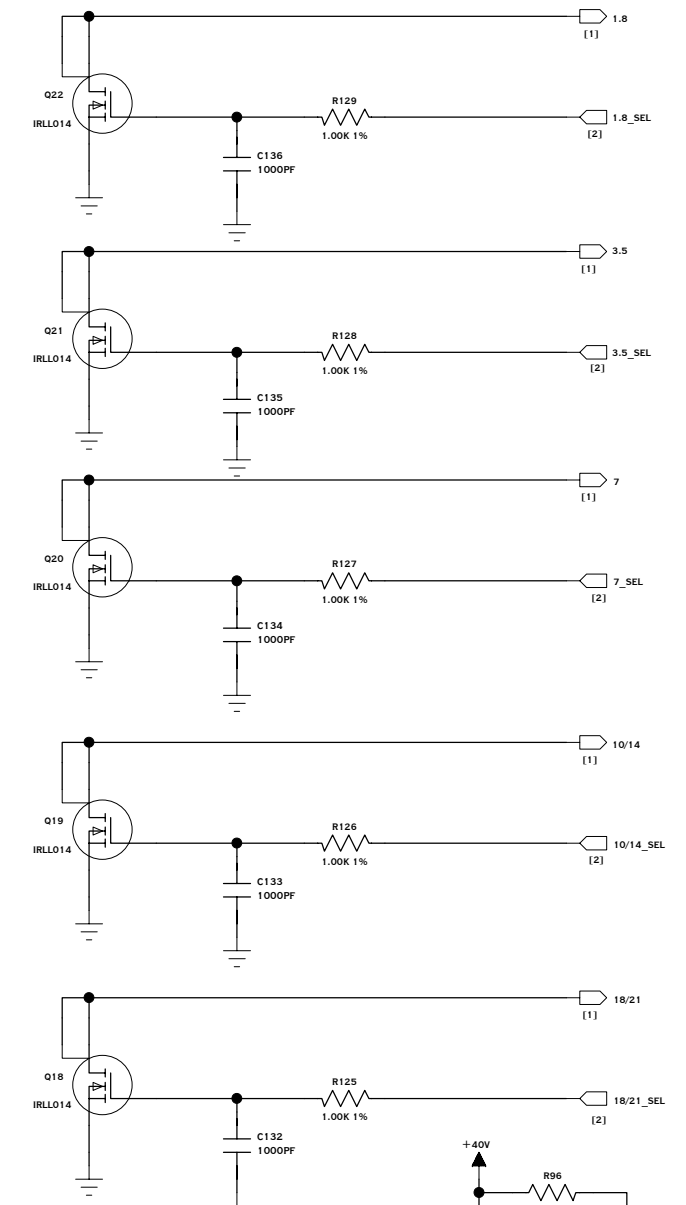
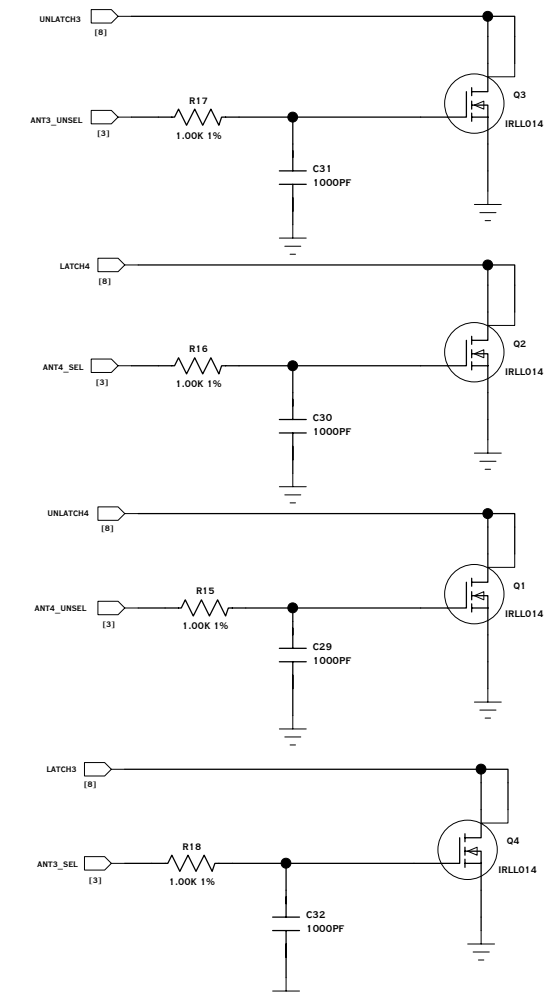
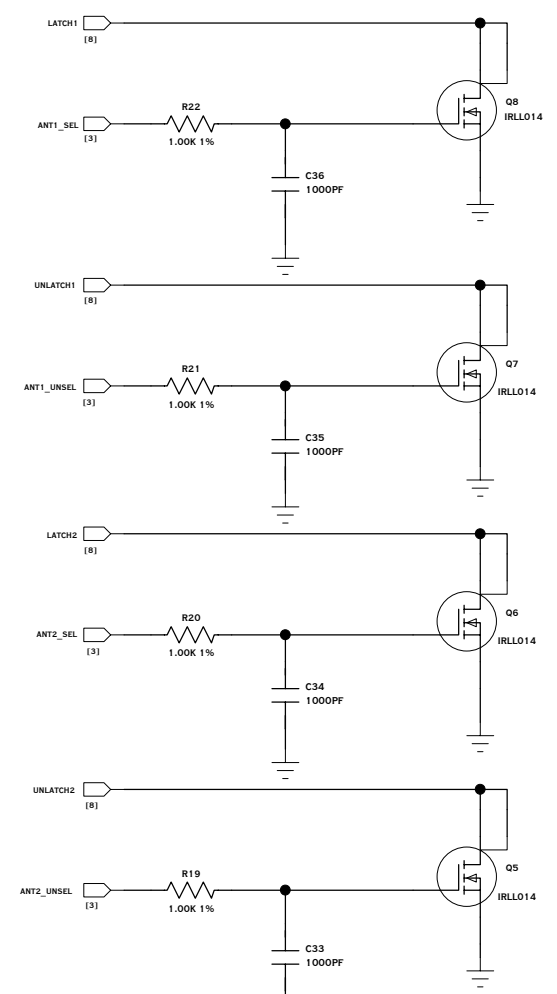
A

D

C

B

A



ASSERTED HIGH BY MICRO TO PUT AMP IN OPERATE MODE

ASSERTED HIGH BY MICRO TO PUT AMP IN KEYED MODE

+5V AMP UNKEYED  
+0.5V WHEN EXCITER PULLS KEY LINE LOW

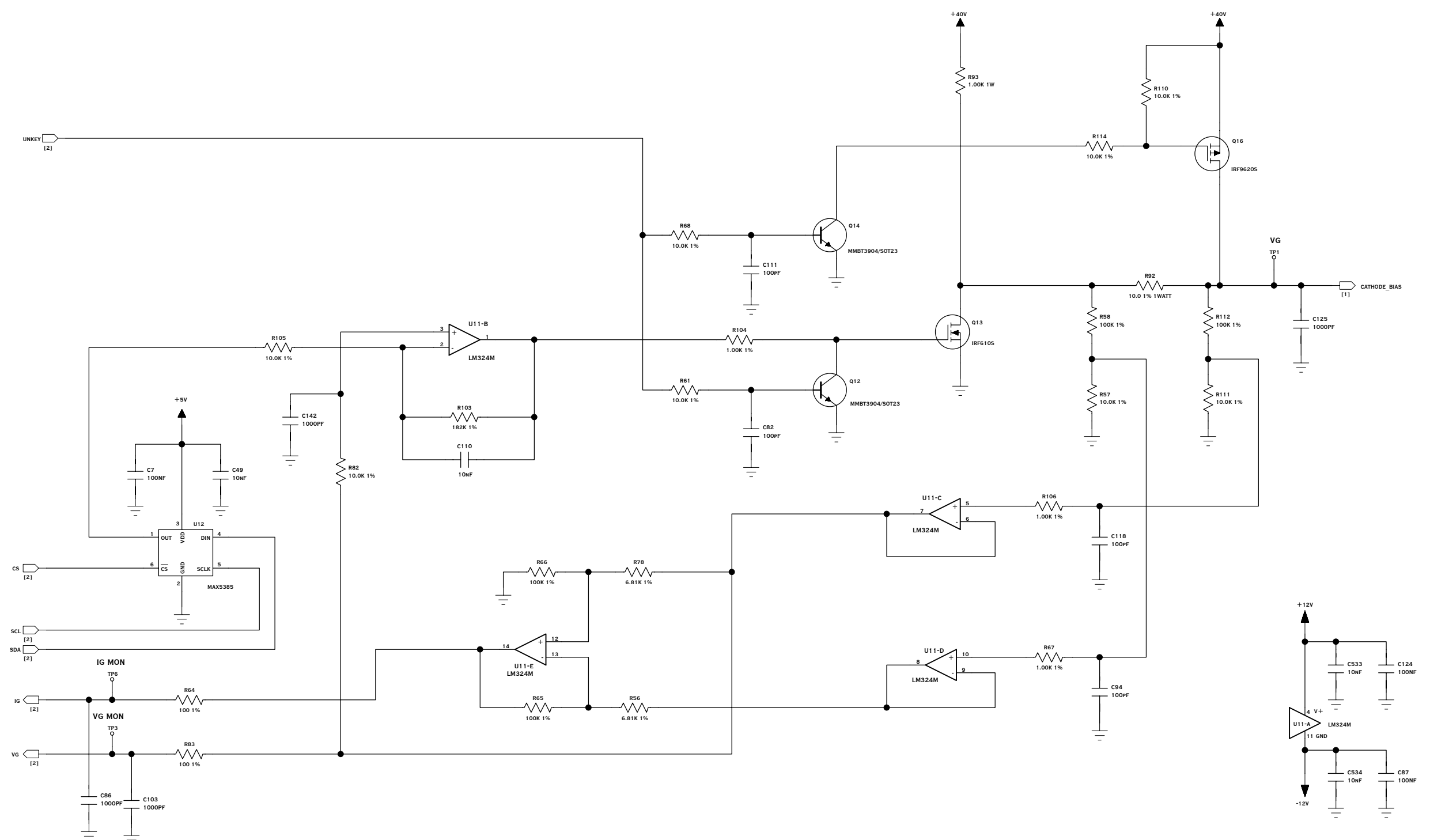
ASSERTED HIGH BY MICRO TO PUT AMP IN KEYED MODE

PROJECT NO. <b>9500</b>	DATE 07/25/08	<b>RF CONCEPTS LLC</b>		6185 ARAPAHOE RD. BOULDER, COLORADO 80303 PHONE: (303) 473-9232 FAX: (303) 473-9660
ENGINEER G. HARDMAN	DRAWN BY R. FOCKEN	TITLE: <b>SCH,OUTPUT/CONTROLLER,9500</b>		
BCX-X421_REV_A.SCH RELAY DRIVERS		SIZE <b>C</b>	DRAWING # <b>BCX-X421</b>	REV. <b>A</b>
PADS POWERLOGIC DRAWING		SCALE		SHEET 4 OF 8

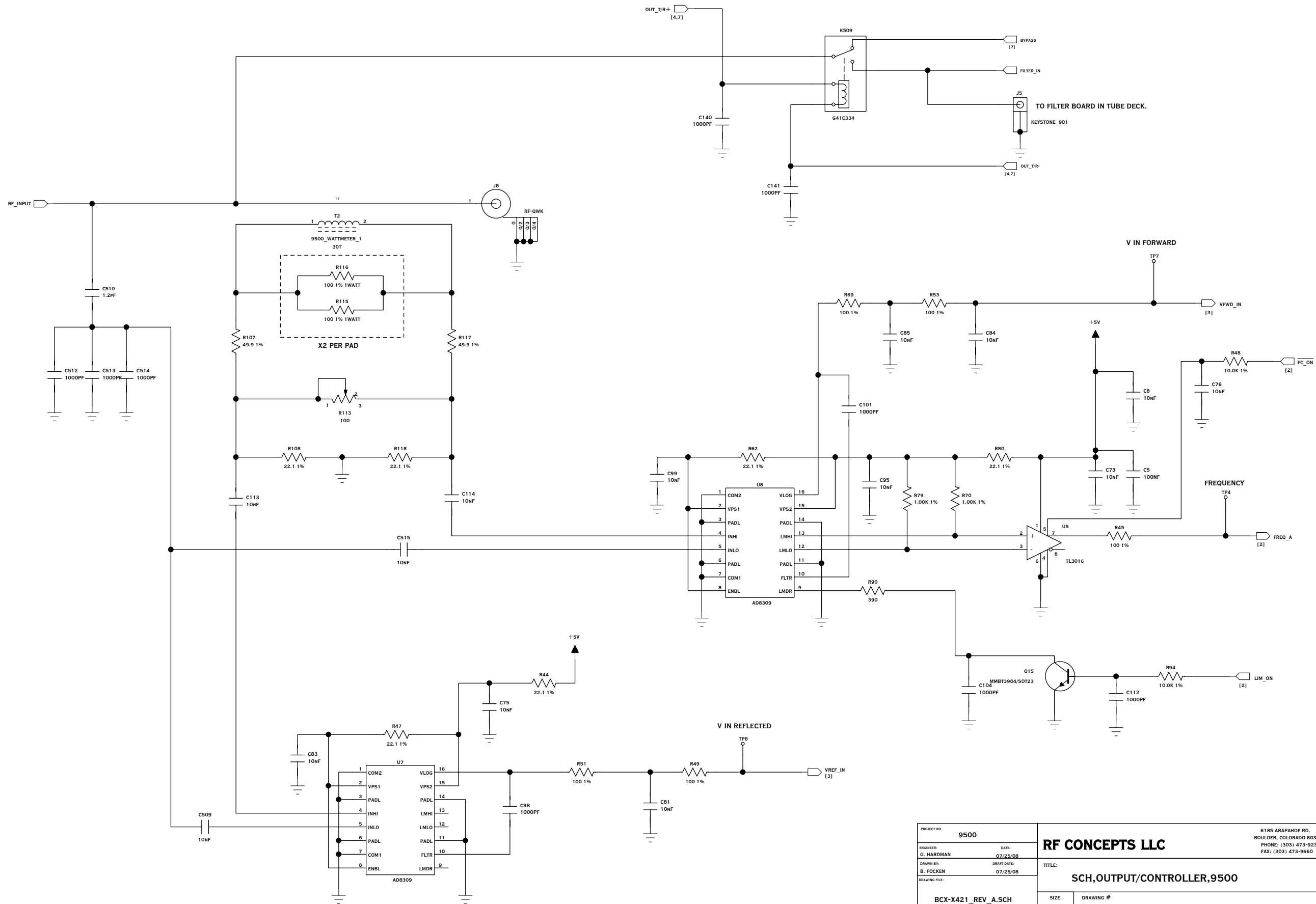
6 5 4 3 2 1

D  
C  
B  
A

D  
C  
B  
A



PROJECT NO. <b>9500</b>	DATE 07/25/08		6185 ARAPAHOE RD. BOULDER, COLORADO 80303 PHONE: (303) 473-9232 FAX: (303) 473-9660	
ENGINEER G. HARDMAN	DRAWN BY B. FOCKEN		<b>RF CONCEPTS LLC</b>	
DRAWING FILE: BCX-X421_REV_A.SCH	TUBE BIAS		TITLE: <b>SCH,OUTPUT/CONTROLLER,9500</b>	
SIZE <b>C</b>	DRAWING # <b>BCX-X421</b>	REV. <b>A</b>		
PADS POWERLOGIC DRAWING		SCALE	SHEET 5 OF 8	



PROJECT NO. <b>9500</b>	DATE 07/25/08	<b>RF CONCEPTS LLC</b>		6185 ARAPAHOE RD. BOULDER, COLORADO 80303 PHONE: (303) 473-9232 FAX: (303) 473-9660
ENGINEER G. HARDMAN	DRAWN BY B. FOCKEN	TITLE: <b>SCH,OUTPUT/CONTROLLER,9500</b>		
DRAWING FILE: BCX-X421_REV_A.SCH		SIZE <b>C</b>	DRAWING # <b>BCX-X421</b>	REV. <b>A</b>
INPUT WATT METER		SCALE		SHEET 6 OF 8

6

5

4

3

2

1

D

D

C

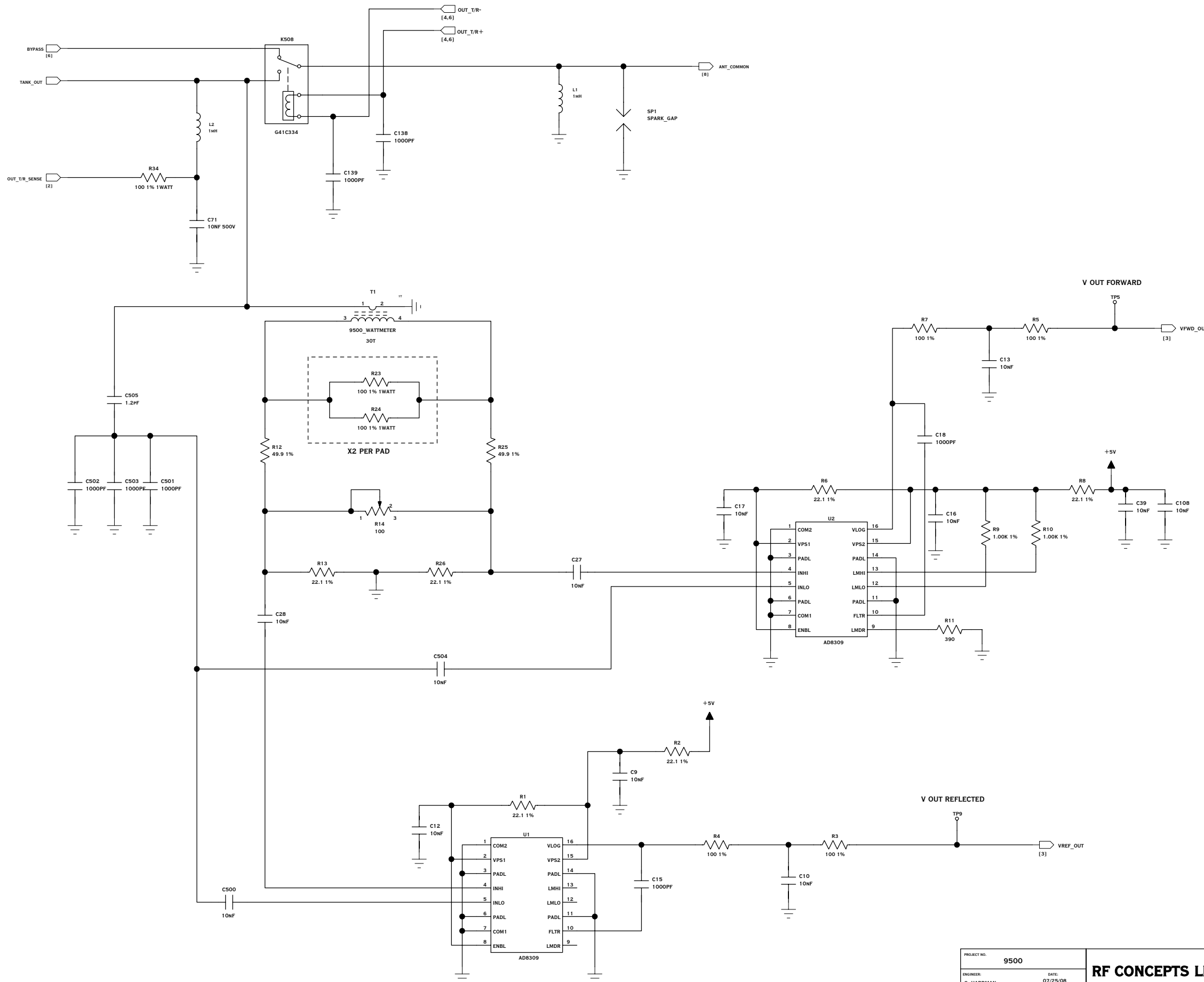
C

B

B

A

A



PROJECT NO. <b>9500</b>		6185 ARAPAHOE RD. BOULDER, COLORADO 80303 PHONE: (303) 473-9232 FAX: (303) 473-9660	
ENGINEER: <b>G. HARDMAN</b>	DATE: 07/25/08	<b>RF CONCEPTS LLC</b>	
DRAWN BY: <b>R. FOCKEN</b>	DRAFT DATE: 07/25/08	TITLE: <b>SCH,OUTPUT/CONTROLLER,9500</b>	
DRAWING FILE: <b>BCX-X421_REV_A.SCH</b>		SIZE: <b>C</b>	REV. <b>A</b>
PROJECT TITLE: <b>OUTPUT WATT METER</b>		DRAWING #: <b>BCX-X421</b>	
PADS POWERLOGIC DRAWING		SCALE:	SHEET 7 OF 8

6

5

4

3

2

1

D

D

C

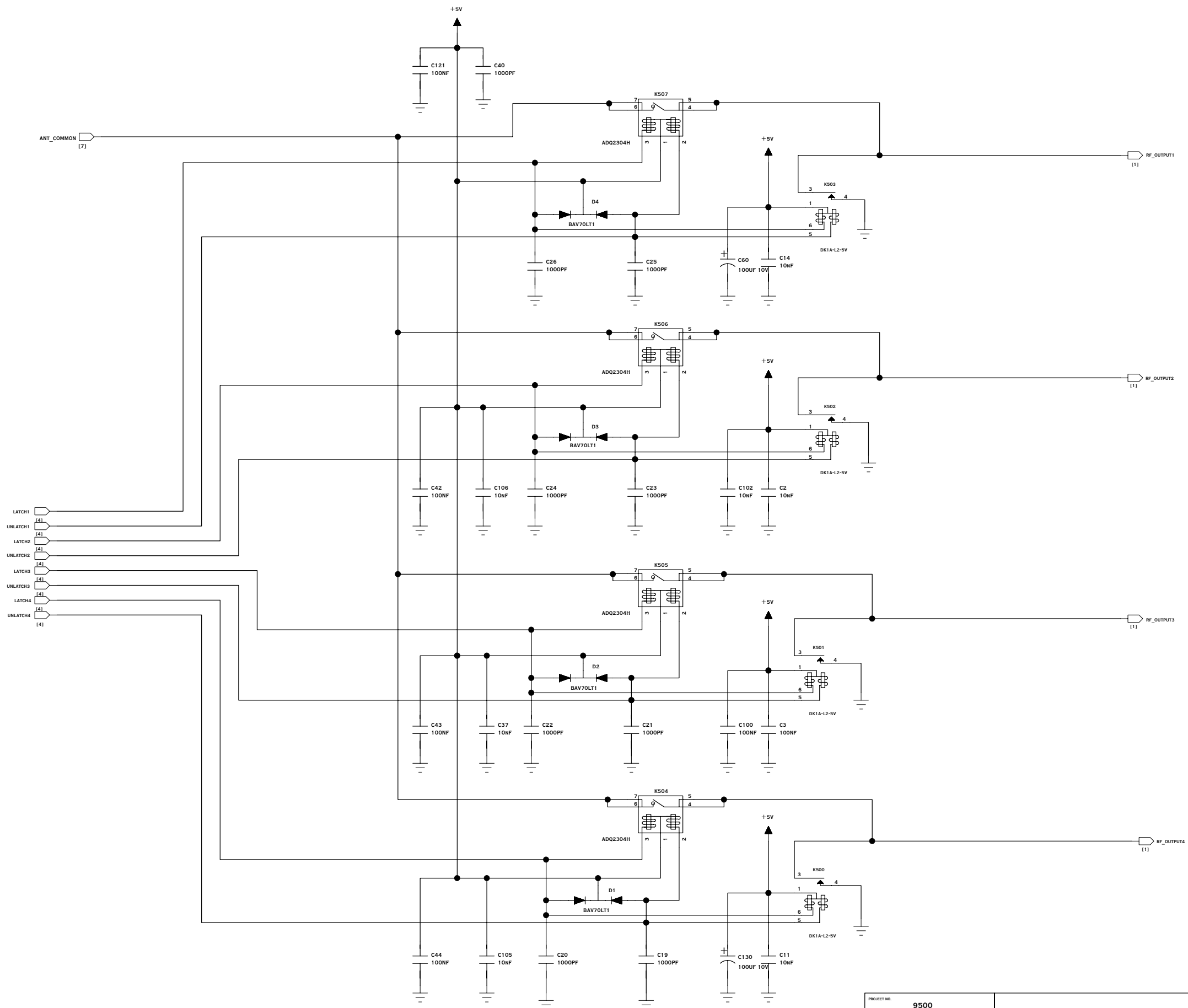
C

B

B

A

A



PROJECT NO. <b>9500</b>	<b>RF CONCEPTS LLC</b>		6185 ARAPAHOE RD. BOULDER, COLORADO 80303 PHONE: (303) 473-9232 FAX: (303) 473-9660
ENGINEER: <b>G. HARDMAN</b>	DATE: <b>07/25/08</b>	TITLE: <b>SCH,OUTPUT/CONTROLLER,9500</b>	
DRAWN BY: <b>R. FOCKEN</b>	DRAFT DATE: <b>07/25/08</b>	SIZE: <b>C</b>	REV. <b>A</b>
DRAWING FILE: <b>BCX-X421_REV_A.SCH</b>		DRAWING #: <b>BCX-X421</b>	
PADS POWERLOGIC DRAWING		SCALE:	SHEET 8 OF 8